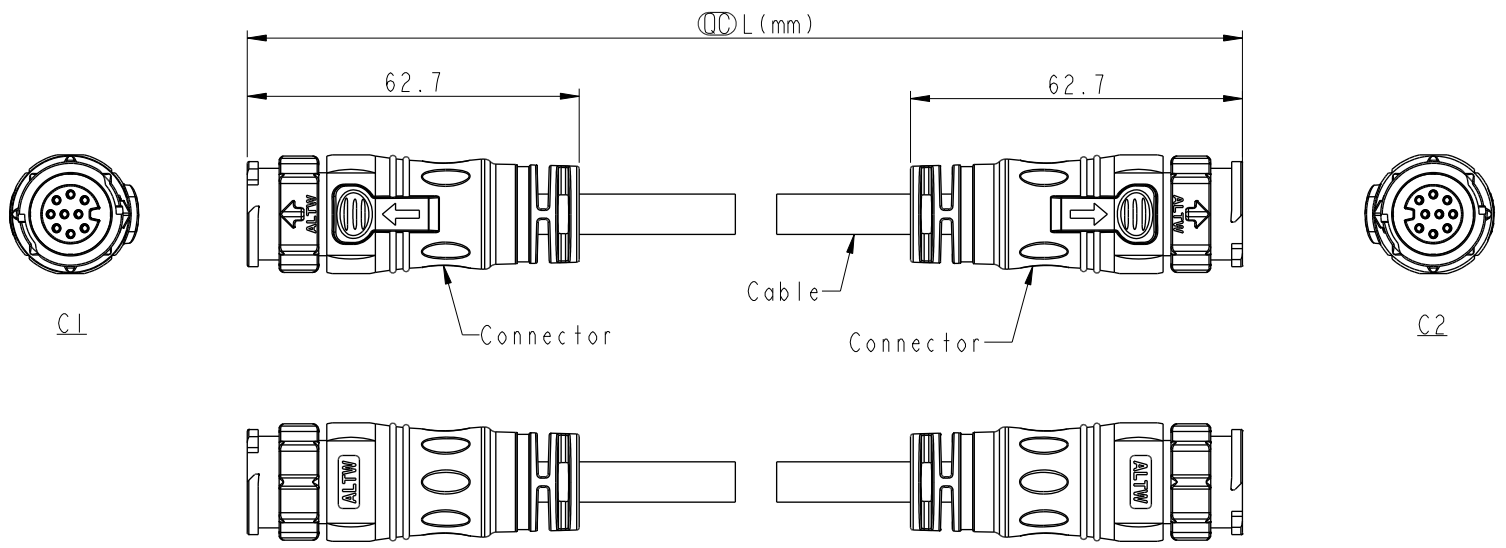


THIS DOCUMENT IS SUBJECT TO CHANGE WITHOUT NOTICE. IT IS CONFIDENTIAL AND A PROPERTY OF AMPHENOL LTW. DISCLOSURE TO THIRD PARTY HAS TO BE AUTHORIZED BY AMPHENOL LTW.

REV.	ECN NO.	DATE	SIGN	DESCRIPTION
A		2020/01/10	Ruru	Initial Released
B	C220463	2022/03/29	Ruru	△B X2
C	C230118	2023/02/08	Vicky	△C X1



- Note: △B
 * RoHS Compliant
 * (C) Important dimension
 △C * Waterproof rate: IP68, mated 1m/24h
 * Connector
 Housing: Thermoplastic, Black
 Pin: Copper Alloy, Gold Plated
 Outer mold: Thermoplastic, Black
 * Cable: UL21388, PVC Jacket, Black
 * Cable length tolerance: 0.5M < L ≤ 1M: +60/-0 mm
 1M < L ≤ 3M: +120/-0 mm
 3M < L ≤ 5M: +160/-0 mm
 5M < L ≤ 10M: ±100 mm
 10M < L ≤ 20M: ±200 mm
 20M < L ≤ 30M: ±300 mm
 30M < L ≤ 99M: ±500 mm

UNIT:mm	
TOLERANCE	±0.5 mm

TITLE ACC, XLOK, C-5A, DB-ENDED MM			
SCALE 1:2	SIZE A4	SHEET 1 OF 2	
REV. C	WC-REV.	(C): Inspection item	

Amphenol LTW
 安費諾亮泰企業股份有限公司

ITEM NO	DRAWN BY Ruru	DATE 2020-01-10
DWG NO AB-CDXXHL-CDHL-QDXXX	CHECKED BY Rita	DATE 2020-01-10
CUSTOMER ALTW	APPROVED BY Max	DATE 2020-01-10

THIS DOCUMENT IS SUBJECT TO CHANGE WITHOUT NOTICE. IT IS CONFIDENTIAL AND A PROPERTY OF Amphenol LTW. DISCLOSURE TO THIRD PARTY HAS TO BE AUTHORIZED BY Amphenol LTW.

9P	PVC	7.6	20	AB-CD09HL-CDHL-QDXXX
8P		7.2		AB-CD08HL-CDHL-QDXXX
7P		6.8		AB-CD07HL-CDHL-QDXXX
Contacts	Cable Jacket	Cable OD	AWG	Item No.

AB- CD XX H L - CD H L - Q D XXX



XX: No. Of Pin

XXX: 0.5~99Meters
 A05: 0.5 Meter
 001: 01 Meter
 002: 02 Meters
 :
 099: 99 Meters

Pin Out	7	Orange	橙	8	Green	綠	9	Brown	棕
	6	Blue	藍	7	Orange	橙	8	Green	綠
	8	Green	綠	6	Blue	藍	6	Blue	藍
	4	Yellow	黃	5	Purple	紫	5	Purple	紫
	3	Black	黑	4	Yellow	黃	4	Yellow	黃
	2	Red	紅	3	Black	黑	3	Black	黑
	1	Brown	棕	2	Red	紅	2	Red	紅
				1	Brown	棕	1	Gray	灰
	Pin #	Wire		Pin #	Wire		Pin #	Wire	
C1 & C2									
	7P			8P			9P		
Pin Assignments Front View									

UNIT:mm		
TOLERANCE	± 0.5 mm	

TITLE ACC, XLOK, C-5A, DB-ENDED MM		
SCALE 1:2	SIZE A4	SHEET 2 OF 2
REV. C	WC-REV.	: Inspection item

Amphenol LTW
 安費諾亮泰企業股份有限公司

ITEM NO	DRAWN BY Ruru	DATE 2020-01-10
DWG NO AB-CDXXHL-CDHL-QDXXX	CHECKED BY Rita	DATE 2020-01-10
CUSTOMER ALTW	APPROVED BY Max	DATE 2020-01-10