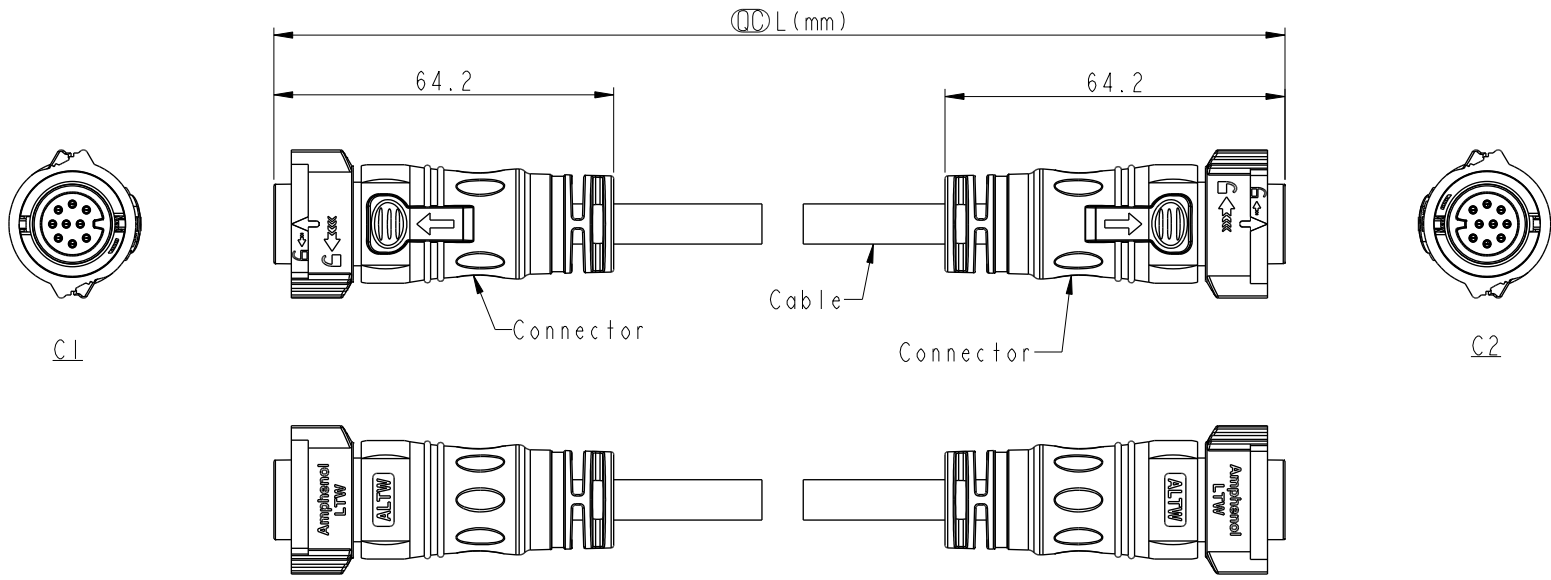


THIS DOCUMENT IS SUBJECT TO CHANGE WITHOUT NOTICE. IT IS CONFIDENTIAL AND A PROPERTY OF AMPHENOL LTW. DISCLOSURE TO THIRD PARTY HAS TO BE AUTHORIZED BY AMPHENOL LTW.

REV.	ECN NO.	DATE	SIGN	DESCRIPTION
A		2020/01/10	Ruru	Initial Released
B	C220462	2022/03/29	Ruru	$\triangle B$ X2
C	C230116	2023/02/06	Vicky	$\triangle C$ X1



- Note: $\triangle B$
- * RoHS Compliant
 - * \odot Important dimension
 - $\triangle C$ * Waterproof rate: IP68, mated 1m/24h
 - * Connector
 - Housing: Thermoplastic, Black
 - Pin: Copper Alloy, Gold Plated
 - O-Ring: Rubber, Gray
 - Nut: Thermoplastic, Black
 - Outer mold: Thermoplastic, Black
 - * Cable: UL21388, PVC Jacket, Black
 - * Cable length tolerance: 0.5M < L ≤ 1M: +60/-0 mm
 - 1M < L ≤ 3M: +120/-0 mm
 - 3M < L ≤ 5M: +160/-0 mm
 - 5M < L ≤ 10M: ±100 mm
 - 10M < L ≤ 20M: ±200 mm
 - 20M < L ≤ 30M: ±300 mm
 - 30M < L ≤ 99M: ±500 mm

UNIT:mm		TITLE	ACC, XLOK, C-5A, DB-ENDED FF	
TOLERANCE	±0.5 mm	SCALE	1:2	SHEET 1 OF 2
		REV.	C	WC-REV.
			\odot : Inspection item	

Amphenol LTW
安費諾亮泰企業股份有限公司

ITEM NO	DRAWN BY	DATE
	Ruru	2020-01-10
DWG NO	CHECKED BY	DATE
AB-CDXXBL-CDBL-QDXXX	Rita	2020-01-10
CUSTOMER	APPROVED BY	DATE
ALTW	Max	2020-01-10

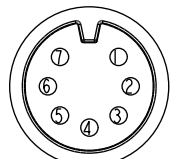
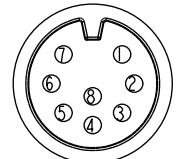
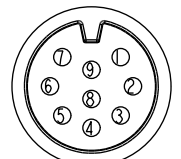
THIS DOCUMENT IS SUBJECT TO CHANGE WITHOUT NOTICE. IT IS CONFIDENTIAL AND A PROPERTY OF Amphenol LTW. DISCLOSURE TO THIRD PARTY HAS TO BE AUTHORIZED BY Amphenol LTW.

9P	PVC	7.6	20	AB-CD09BL-CDBL-QDXXX
8P		7.2		AB-CD08BL-CDBL-QDXXX
7P		6.8		AB-CD07BL-CDBL-QDXXX
Contacts	Cable Jacket	Cable OD	AWG	Item No.

AB- CD XX B L - CD B L - Q D XXX


XX: No. Of Pin

XXX: 0.5~99Meters
 A05: 0.5 Meter
 001: 01 Meter
 002: 02 Meters
 :
 099: 99 Meters

Pin Out	7	Orange	橙	8	Green	綠	9	Brown	棕
	6	Blue	藍	7	Orange	橙	8	Green	綠
	8	Green	綠	6	Blue	藍	7	Orange	橙
	4	Yellow	黃	5	Purple	紫	6	Blue	藍
	3	Black	黑	4	Yellow	黃	5	Purple	紫
	2	Red	紅	3	Black	黑	4	Yellow	黃
	1	Brown	棕	2	Red	紅	3	Black	黑
				1	Brown	棕	2	Red	紅
							1	Gray	灰
	Pin #	Wire		Pin #	Wire		Pin #	Wire	
CI & C2									
			7P			8P			9P
Pin Assignments Front View									

UNIT: mm TOLERANCE ± 0.5 mm	TITLE ACC, XLOK, C-5A, DB-ENDED FF		Amphenol LTW 安費諾亮泰企業股份有限公司	ITEM NO.	DRAWN BY Ruru	DATE 2020-01-10	
	SCALE 1:2	SIZE A4		SHEET 2 OF 2	DWG NO. AB-CDXXBL-CDBL-QDXXX	CHECKED BY Rita	DATE 2020-01-10
	REV. C	WC-REV.		QC: Inspection item	CUSTOMER ALTW	APPROVED BY Max	DATE 2020-01-10