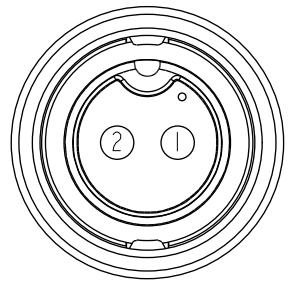
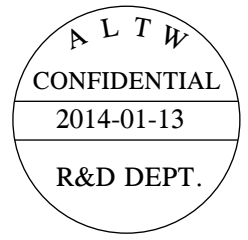
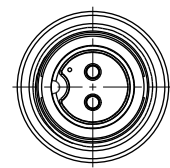
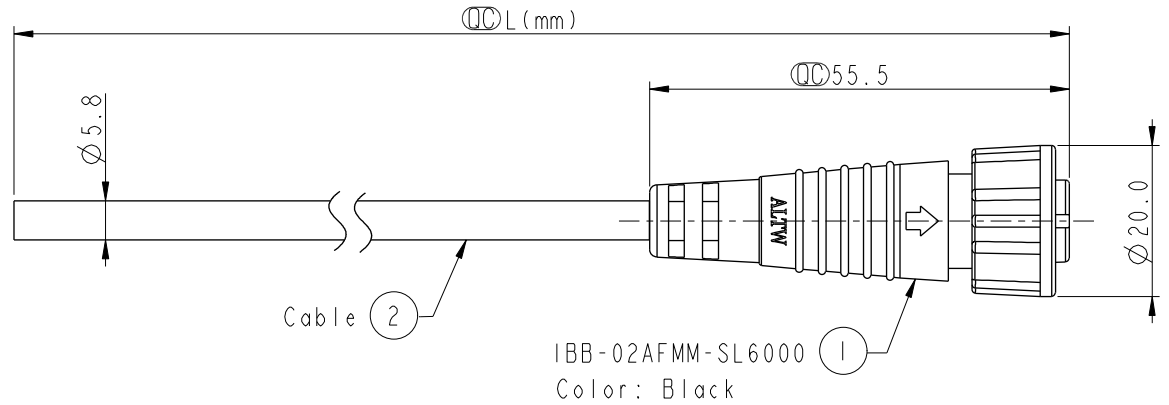


REV.	ECN NO.	DATE	SIGN	DESCRIPTION



Pin Assignments
Front View

2	Red	紅
1	Green	綠
Conn.	Wire Color	
Pin Out		

IBB-02AFMM-SL6AXX

- ↑
- XX : 01~99Meters
- 01 : 01Meter
- 02 : 02Meters
- ...
- 99 : 99Meters

Cable Length(L): 01~99Meters

- Note:
- * \varnothing Important Dimension To Check
 - * Waterproof Rate: IP66
 - * Housing: Nylon+GF, Black
 - * Male Pin: Copper Alloy, Gold Plated
 - * Cable: UL2464 20AWG*2C+D+AL/My
PVC Jacket UV Resistant, OD=5.8, Black
 - * Cable Length Tolerance: 01M: ±40mm
02M~05M: ±60mm
06M~10M: ±100mm
11M~30M: ±200mm
31M~99M: ±500mm

UNIT:mm	
TOLERANCE	± 0.5mm

TITLE STANDARD CNC PIN CABLE SCREW 2PIN F CONN M PIN			
SCALE 1:1	SIZE A4	SHEET 1 OF 1	
REV. A	WC-REV. A.1	\varnothing : Inspection item	

Amphenol LTW
安費諾亮泰企業股份有限公司

ITEM NO	DRAWN BY Ruru	DATE 2014-01-13
DWG NO IBB-02AFMM-SL6AXX	CHECKED BY Tony	DATE 2014-01-13
CUSTOMER ALTW	APPROVED BY Victor	DATE 2014-01-13

THIS DOCUMENT IS SUBJECT TO CHANGE WITHOUT NOTICE. IT IS CONFIDENTIAL AND A PROPERTY OF Amphenol LTW. DISCLOSURE TO THIRD PARTY HAS TO BE AUTHORIZED BY Amphenol LTW.