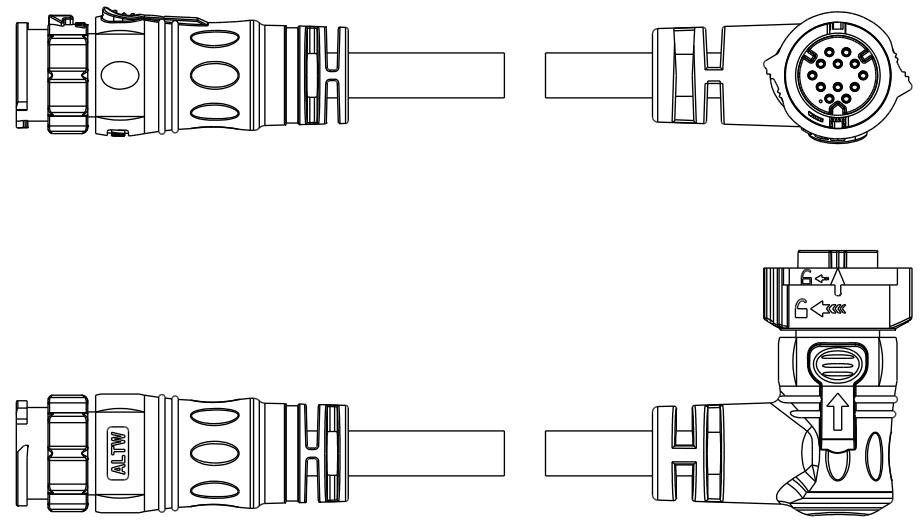
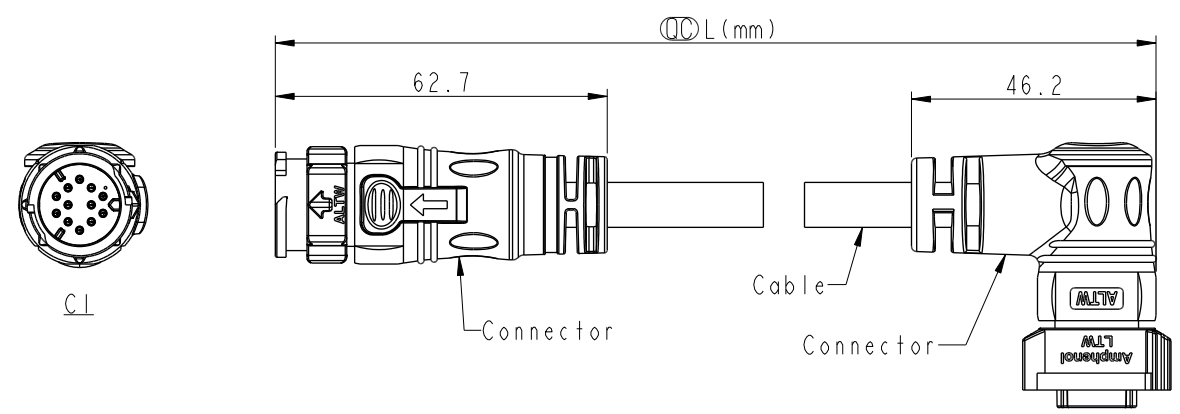


THIS DOCUMENT IS SUBJECT TO CHANGE WITHOUT NOTICE. IT IS CONFIDENTIAL AND A PROPERTY OF Amphenol LTW. DISCLOSURE TO THIRD PARTY HAS TO BE AUTHORIZED BY Amphenol LTW.

REV.	ECN NO.	DATE	SIGN	DESCRIPTION
A		2020/01/09	Ruru	Initial Released
B	C220463	2022/03/29	Ruru	$\triangle B$ X2
C	C230118	2023/02/08	Vicky	$\triangle C$ X2



Note:  $\triangle B$

- \* RoHS Compliant
- \*  $\text{⌀}$  Important dimension
- \* C1
- $\triangle C$  Waterproof rate: IP68, mated 1m/24h  
Housing: Thermoplastic, Black  
Pin: Copper Alloy, Gold Plated  
Outer mold: Thermoplastic, Black
- \* C2
- $\triangle C$  Waterproof rate: IP68, mated 1m/24h  
Housing: Thermoplastic, Black  
Pin: Copper Alloy, Gold Plated  
O-Ring: Rubber, Gray  
Nut: Thermoplastic, Black  
Outer mold: Thermoplastic, Black
- \* Cable: UL21388, PVC Jacket, Black
- \* Cable length tolerance:  $0.5M < L \leq 1M: +60/-0$  mm  
 $1M < L \leq 3M: +120/-0$  mm  
 $3M < L \leq 5M: +160/-0$  mm  
 $5M < L \leq 10M: \pm 100$  mm  
 $10M < L \leq 20M: \pm 200$  mm  
 $20M < L \leq 30M: \pm 300$  mm  
 $30M < L \leq 99M: \pm 500$  mm

UNIT: mm	$\text{⌀}$	$\text{⌢}$	TITLE ACC, XLOK, C-5A, DB-ENDED MF
TOLERANCE $\pm 0.5$ mm	SCALE 1:2	SIZE A4	SHEET 1 OF 2
REV. C	WC-REV.	$\text{⌀}$ : Inspection item	

**Amphenol LTW**  
安費諾亮泰企業股份有限公司

ITEM NO.	DRAWN BY Ruru	DATE 2020-01-09
DWG NO. AB-CDXML-CDFR-QDXXX	CHECKED BY Rita	DATE 2020-01-09
CUSTOMER ALTW	APPROVED BY Max	DATE 2020-01-09

THIS DOCUMENT IS SUBJECT TO CHANGE WITHOUT NOTICE. IT IS CONFIDENTIAL AND A PROPERTY OF Amphenol LTW. DISCLOSURE TO THIRD PARTY HAS TO BE AUTHORIZED BY Amphenol LTW.

2 3 4 5 6 7 8

△  
 XX: No. Of Pin

AB- CD XX M L - CD F R - Q D XXX

XXX: 0.5~99Meters  
 A05: 0.5 Meter  
 001: 01 Meter  
 002: 02 Meters  
 :  
 099: 99 Meters

12P	PVC	8.5	20	AB-CD12ML-CDFR-QDXXX
10P		8.5		AB-CD10ML-CDFR-QDXXX
9P		7.6		AB-CD09ML-CDFR-QDXXX
8P		7.2		AB-CD08ML-CDFR-QDXXX
7P		6.8		AB-CD07ML-CDFR-QDXXX
Contacts	Cable Jacket	Cable OD	AWG	Item No.

Pin Out	7	6	8	4	3	2	1	8	7	6	5	4	3	2	1	9	8	7	6	5	4	3	2	1	10	9	8	7	6	5	4	3	2	1	12	11	10	9	8	7	6	5	4	3	2	1					
	Orange	Blue	Green	Yellow	Black	Red	Brown	Green	Orange	Blue	Purple	Yellow	Black	Red	Brown	Brown	Green	Orange	Blue	Purple	Yellow	Black	Red	Brown	Gray	White	Gray	Purple	Blue	Green	Yellow	Orange	Red	Brown	Black	Light Green	Pink	White	Gray	Purple	Blue	Green	Yellow	Orange	Red	Brown	Black				
	橙	藍	綠	黃	黑	紅	棕	綠	橙	藍	紫	黃	黑	紅	棕	棕	綠	橙	藍	紫	黃	黑	紅	棕	灰	白	灰	紫	藍	綠	黃	橙	紅	棕	黑	淡綠	粉紅	白	灰	紫	藍	綠	黃	橙	紅	棕	黑				
Pin #	Wire	Wire	Wire	Wire	Wire	Wire	Wire	Wire	Wire	Wire	Wire	Wire	Wire	Wire	Wire	Wire	Wire	Wire	Wire	Wire	Wire	Wire	Wire	Wire	Wire	Wire	Wire	Wire	Wire	Wire	Wire	Wire	Wire	Wire	Wire	Wire	Wire	Wire	Wire	Wire	Wire	Wire	Wire	Wire	Wire	Wire	Wire	Wire			
C2																																																			
C1																																																			

Pin Assignments Front View

UNIT:mm TOLERANCE ± 0.5 mm	TITLE ACC, XLOK, C-5A, DB-ENDED MF		Amphenol LTW 安費諾亮泰企業股份有限公司		ITEM NO	DRAWN BY Ruru	DATE 2020-01-09
	SCALE 1:2	SIZE A4			SHEET 2 OF 2	DWG NO AB-CDXXML-CDFR-QDXXX	CHECKED BY Rita
	REV. C	WC-REV.	QC: Inspection item	CUSTOMER ALTW	APPROVED BY Max	DATE 2020-01-09	

2 3 4 5 6 7 8 W10814-03-0001A2