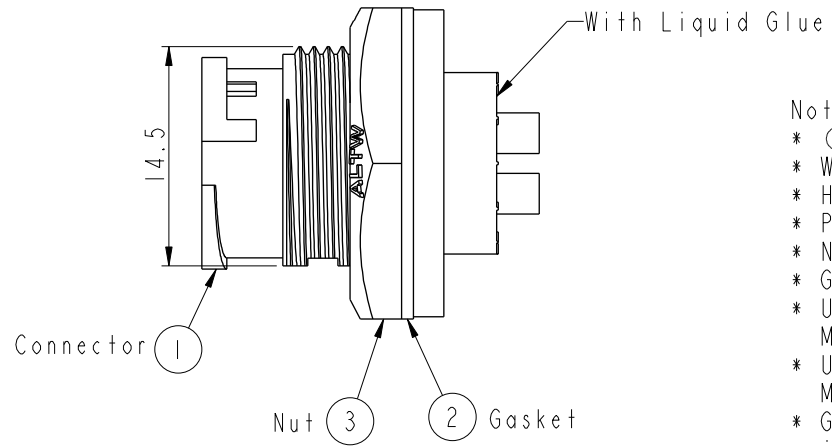
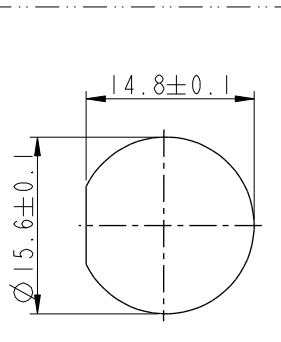
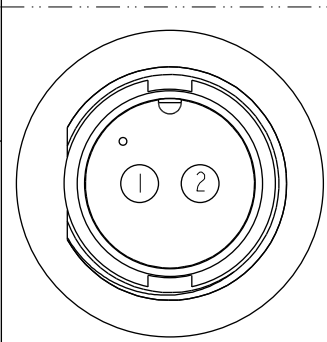
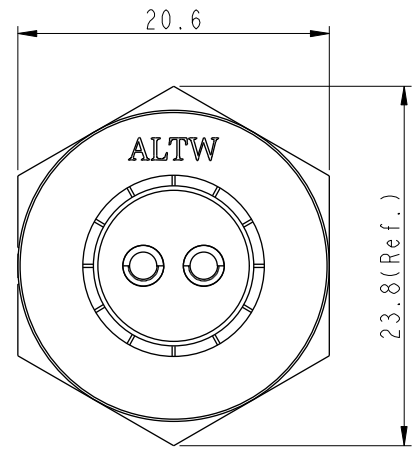
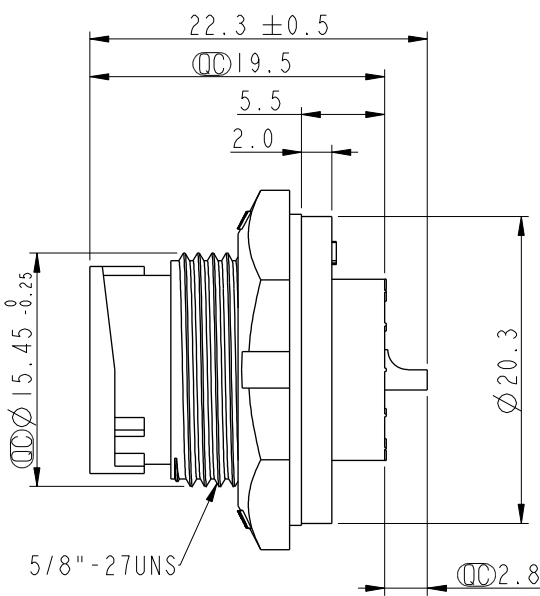
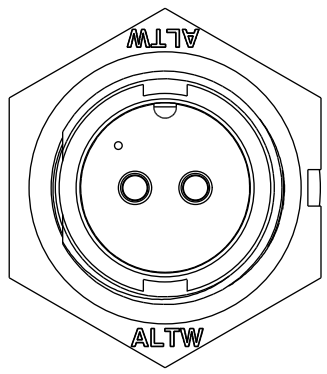


THIS DOCUMENT IS SUBJECT TO CHANGE WITHOUT NOTICE. IT IS CONFIDENTIAL AND A PROPERTY OF Amphenol LTW. DISCLOSURE TO THIRD PARTY HAS TO BE AUTHORIZED BY Amphenol LTW.

REV.	ECN NO.	DATE	SIGN	DESCRIPTION
A	Initial Release	2014/01/21	Ann	New Item
B	CI90315	2019/03/19	Ruru	Modify Note & Add QC Dimension

**ALTW**  
**CONFIDENTIAL**  
 2019-03-19  
**R&D DEPT.**



Note:  $\triangle B$

- \*  $\text{CC}$  Important Dimension
- \* Waterproof Rate: IP67, Unmated
- \* Housing: Thermoplastic, Black
- \* Pin: Copper Alloy, Gold Plated
- \* Nut: Thermoplastic, Black
- \* Gasket: Rubber, Gray
- \* Use with waterproof cap or dust cap  
Maximum Panel Thickness: 2.8mm
- \* Use without waterproof cap or dust cap  
Maximum Panel Thickness: 4.0mm
- \* Gasket and Nut are packed separately in PE bags

Pin Assignments  
Front View

Recommended Panel  
Cut-Out

UNIT: mm		
TOLERANCE		
.X	±0.25	
.XX	±0.1	
.XXX	±0.05	
ANGLES	±1°	

TITLE Standard CNC Pin Panel Lock 2Pin M Conn M Pin			
SCALE 2:1	SIZE A4	SHEET 1 OF 1	
REV. B	WC-REV. A.3	$\text{CC}$ : Inspection item	

**Amphenol LTW**  
**安費諾亮泰企業股份有限公司**

ITEM NO. IBB-02PMMS-LC7001	DRAWN BY Ruru	DATE 2019-03-19
DWG NO. IBB-02PMMS-LC7001	CHECKED BY Rita	DATE 2019-03-19
CUSTOMER ALTW	APPROVED BY Max	DATE 2019-03-19