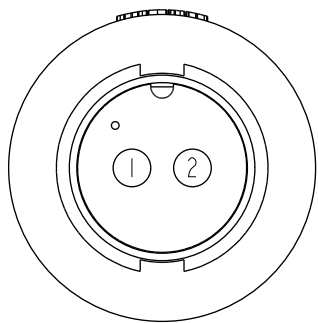
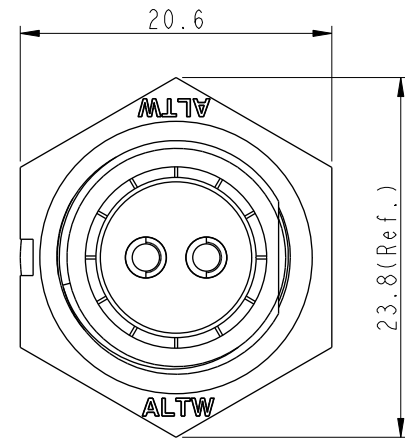
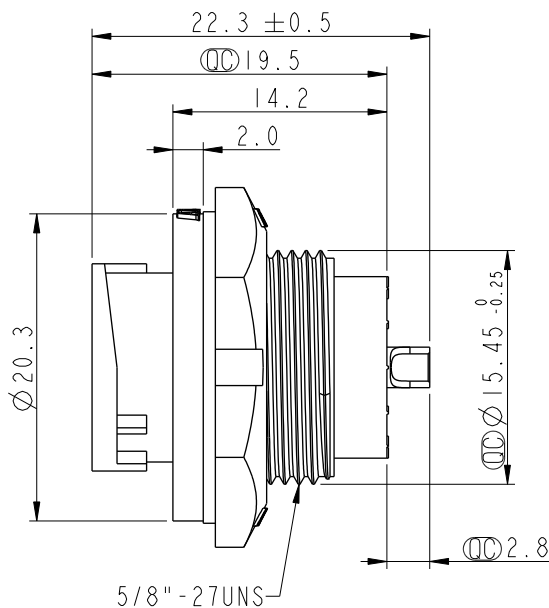
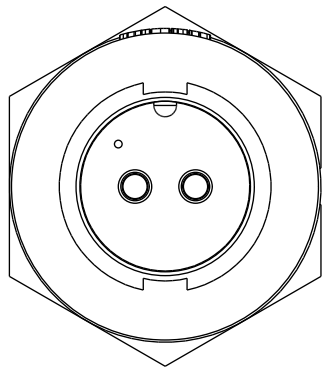
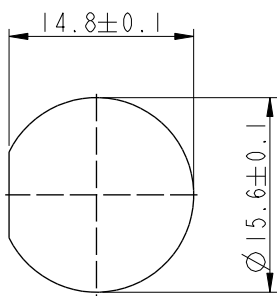


THIS DOCUMENT IS SUBJECT TO CHANGE WITHOUT NOTICE. IT IS CONFIDENTIAL AND A PROPERTY OF AMPHENOL LTW. DISCLOSURE TO THIRD PARTY HAS TO BE AUTHORIZED BY AMPHENOL LTW.

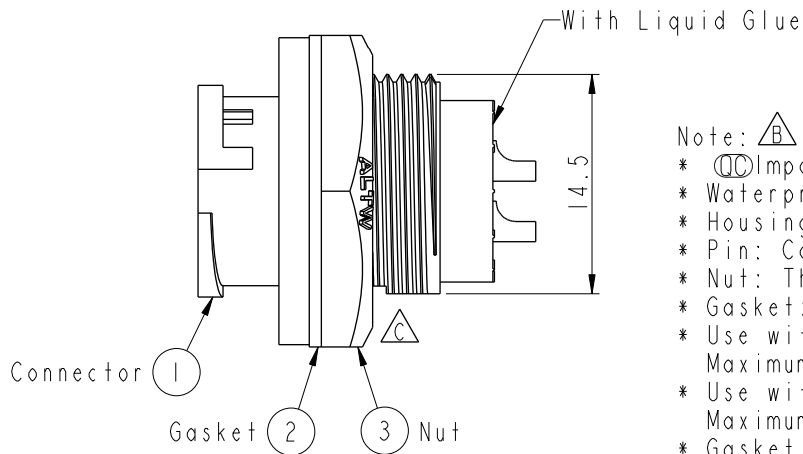
REV.	ECN NO.	DATE	SIGN	DESCRIPTION
A	Initial Release	2014/02/05	Ann	New Item
B	C190315	2019/03/19	Ruru	Modify Note & Add QC Dimension
C	C240531	2024/05/21	Ruru	$\triangle C$ X2



Pin Assignments
Front View



Recommended Panel
Cut-Out



- Note: $\triangle B$
- * ⌀ Important Dimension
 - * Waterproof Rate: IP67, Unmated
 - * Housing: Thermoplastic, Black
 - * Pin: Copper Alloy, Gold Plated
 - * Nut: Thermoplastic, Black
 - * Gasket: Rubber, Gray
 - * Use with waterproof cap or dust cap
Maximum Panel Thickness: 2.3mm
 - * Use without waterproof cap or dust cap
Maximum Panel Thickness: 3.5mm
 - * Gasket and Nut are packed separately
in PE bags

UNIT:mm			TITLE N CERES, ME, B-10A, 02P, REAR FASTENED M, M, SOLDER, 2LOCK	
TOLERANCE	.X ±0.25	.XX ±0.1	SCALE 2:1	SIZE A4
ANGLES	.XXX ±0.05	±1°	REV. C	WC-REV. A.3
			SHEET 1 OF 1	
			QC: Inspection item	

Amphenol LTW
安費諾亮泰企業股份有限公司

ITEM NO IBB-02RMMS-LC7001	DRAWN BY Ruru	DATE 2024-05-21
DWG NO IBB-02RMMS-LC7001	CHECKED BY Rita	DATE 2024-05-21
CUSTOMER ALTW	APPROVED BY Fred	DATE 2024-05-21