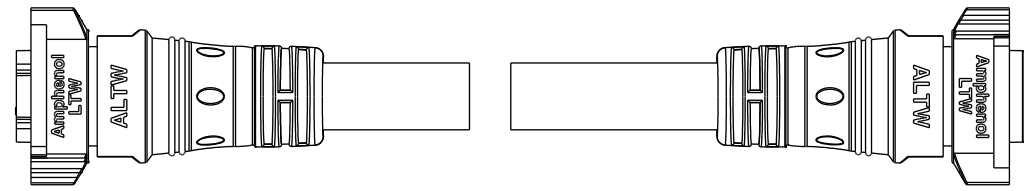
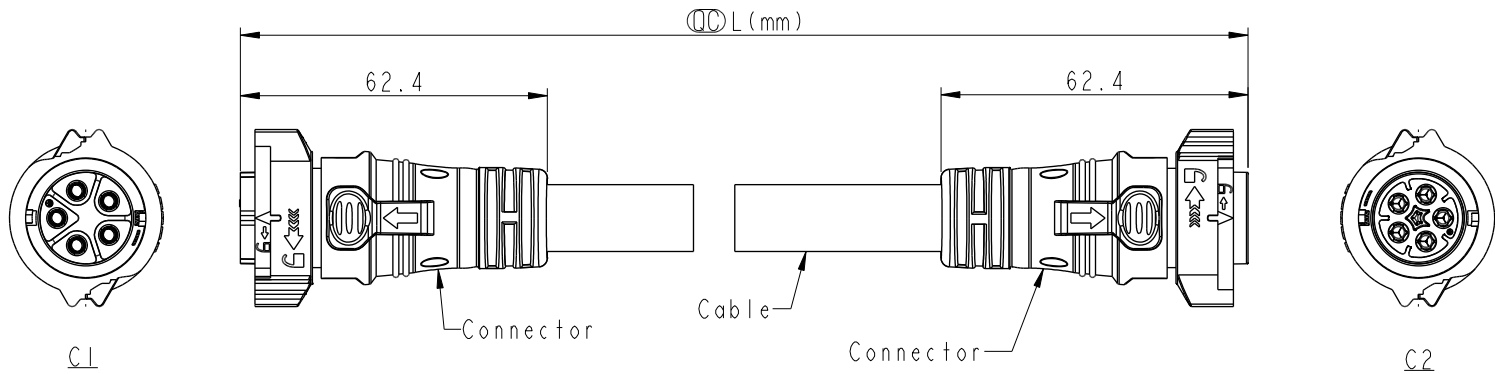


THIS DOCUMENT IS SUBJECT TO CHANGE WITHOUT NOTICE. IT IS CONFIDENTIAL AND A PROPERTY OF Amphenol LTW. DISCLOSURE TO THIRD PARTY HAS TO BE AUTHORIZED BY Amphenol LTW.

REV.	ECN NO.	DATE	SIGN	DESCRIPTION
A		2020/01/13	Ruru	Initial Released
B	C220431	2022/03/18	Ruru	$\triangle B$ X2
C	C230119	2023/02/08	Vicky	$\triangle C$ X2



Note: $\triangle B$

- * RoHS Compliant
- * \odot Important dimension
- * C1
- $\triangle C$ Waterproof rate: IP68, mated 1m/24h
- Housing: Thermoplastic, Black
- Pin: Copper Alloy, Gold Plated
- O-Ring: Rubber, Dark Gray
- Nut: Thermoplastic, Black
- Outer mold: Thermoplastic, Black
- * C2
- $\triangle C$ Waterproof rate: IP68, mated 1m/24h
- Housing: Thermoplastic, Black
- Pin: Copper Alloy, Gold Plated
- O-Ring: Rubber, Dark Gray
- Nut: Thermoplastic, Black
- Outer mold: Thermoplastic, Black
- * Cable: SJTW, PVC Jacket, Black
- * Cable length tolerance: $0.5M < L \leq 1M$: +60/-0 mm
- $1M < L \leq 3M$: +120/-0 mm
- $3M < L \leq 5M$: +160/-0 mm
- $5M < L \leq 10M$: ± 100 mm
- $10M < L \leq 20M$: ± 200 mm
- $20M < L \leq 30M$: ± 300 mm
- $30M < L \leq 99M$: ± 500 mm

UNIT: mm		
TOLERANCE	± 0.5 mm	

TITLE ACC, XLOK, D-20A, DB-ENDED FF		
SCALE 1:2	SIZE A4	SHEET 1 OF 2
REV. C	WC-REV.	\odot : Inspection item

Amphenol LTW
安費諾亮泰企業股份有限公司

ITEM NO.	DRAWN BY Ruru	DATE 2020-01-13
DWG NO. AB-DCXXFL-DCBL-QEXXX	CHECKED BY Rita	DATE 2020-01-13
CUSTOMER ALTW	APPROVED BY Max	DATE 2020-01-13

THIS DOCUMENT IS SUBJECT TO CHANGE WITHOUT NOTICE. IT IS CONFIDENTIAL AND A PROPERTY OF AMPHENOL LTW. DISCLOSURE TO THIRD PARTY HAS TO BE AUTHORIZED BY AMPHENOL LTW.

5P	PVC	13.6	12	AB-DC05FL-DCBL-QEXXX
3P		11.7		AB-DC03FL-DCBL-QEXXX
2P		10.7		AB-DC02FL-DCBL-QEXXX
Contacts	Cable Jacket	Cable OD	AWG	Item No.

AB-DCXXFL-DCBL-QEXXX



XX: No. Of Pin

XXX: 0.5~99Meters
 A05: 0.5 Meter
 001: 01 Meter
 002: 02 Meters
 :
 099: 99 Meters

Pin Out	2 White 白 1 Black 黑	3 Green 綠 2 White 白 1 Black 黑	5 Brown 棕 4 Red 紅 3 Green 綠 2 White 白 1 Black 黑
	Pin # Wire	Pin # Wire	Pin # Wire
C2			
	2P	3P	5P
C1			
	2P	3P	5P
Pin Assignments Front View			

UNIT:mm	
TOLERANCE	± 0.5 mm

TITLE ACC, XLOK, D-20A, DB-ENDED FF		
SCALE 1:2	SIZE A4	SHEET 2 OF 2
REV. C	WC-REV.	QC: Inspection item

Amphenol LTW
 安費諾亮泰企業股份有限公司

ITEM NO	DRAWN BY Ruru	DATE 2020-01-13
DWG NO AB-DCXXFL-DCBL-QEXXX	CHECKED BY Rita	DATE 2020-01-13
CUSTOMER ALTW	APPROVED BY Max	DATE 2020-01-13