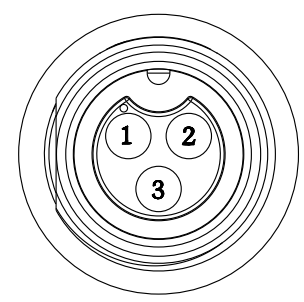
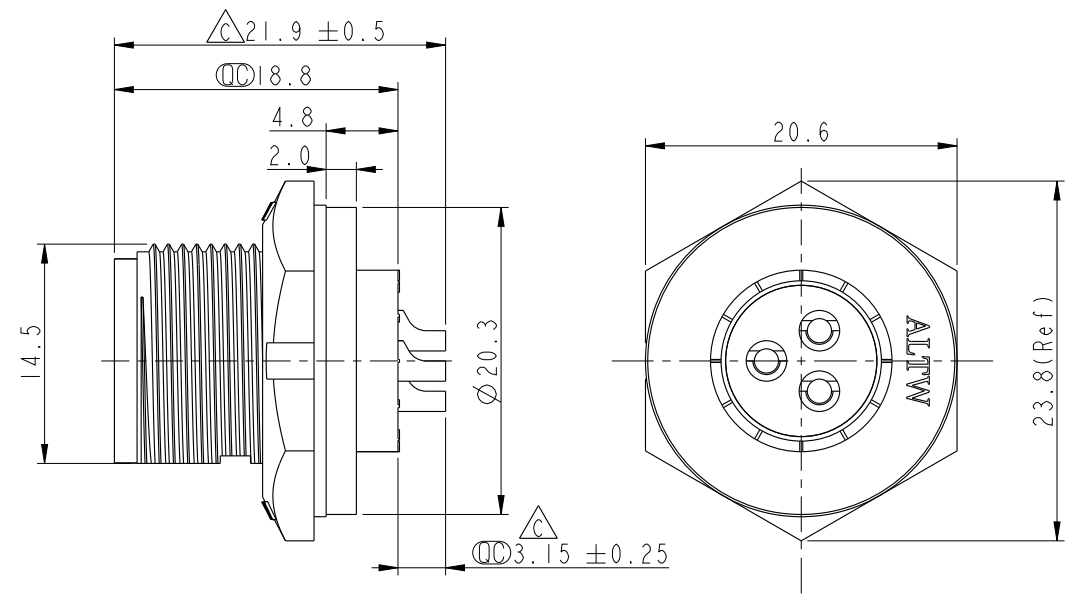
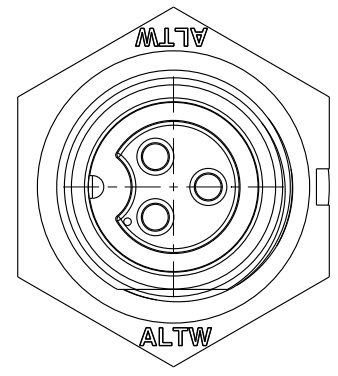
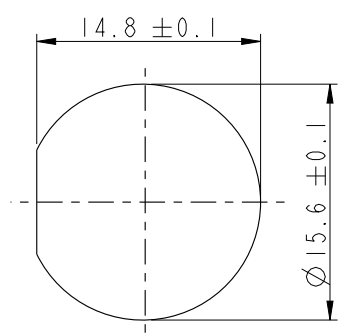


THIS DOCUMENT IS SUBJECT TO CHANGE WITHOUT NOTICE. IT IS CONFIDENTIAL AND A PROPERTY OF AMPHENOL LTW. DISCLOSURE TO THIRD PARTY HAS TO BE AUTHORIZED BY AMPHENOL LTW.

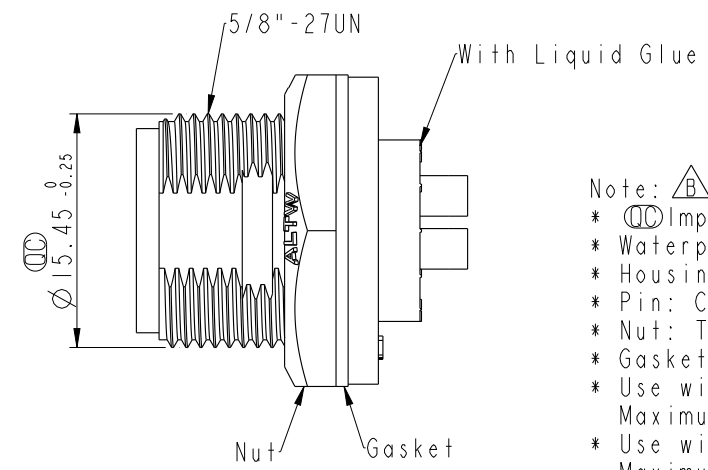
REV.	ECN NO.	DATE	SIGN	DESCRIPTION
A	Initial Release	2014-01-16	Galaxy	New Item.
B	C190315	2019/03/19	Ruru	Modify Note & Add QC Dimension
C	C211854	2021/12/06	JC Chen	$\triangle C$ X3



Pin Assignments
Front View



Recommended Panel
Cut-Out



- Note: $\triangle B$
- * ⌀ Important Dimension
 - * Waterproof Rate: IP67, Unmated
 - * Housing: Thermoplastic, Black
 - * Pin: Copper Alloy, Gold Plated
 - * Nut: Thermoplastic, Black
 - * Gasket: Rubber, Gray
 - * Use with waterproof cap or dust cap
Maximum Panel Thickness: 1.3mm
 - * Use without waterproof cap or dust cap
Maximum Panel Thickness: 2.5mm
 - * Gasket and Nut are packed separately in PE bags

UNIT: mm		TITLE N CERES, ME, B-10A, 03P, M, F SOLDER, SCREW, FRONT FASTENED		<h1>Amphenol LTW</h1> <p>安費諾亮泰企業股份有限公司</p>		ITEM NO IBB-03PMFS-SC7001	DRAWN BY Ruru	DATE 2019-03-19
		TOLERANCE .X ±0.25 .XX ±0.1 .XXX ±0.05 ANGLES ±1°	SCALE 2:1			SIZE A4	SHEET 1 OF 1	DWG NO IBB-03PMFS-SC7001
		REV. C	WC-REV. A.2	⌀ : Inspection item	CUSTOMER ALTW		APPROVED BY Max	DATE 2019-03-19