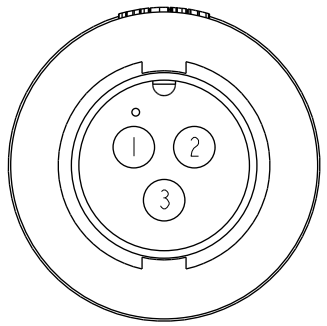
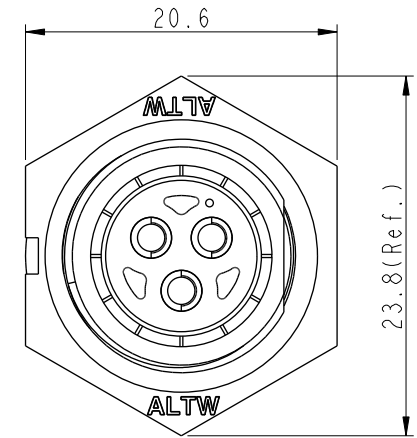
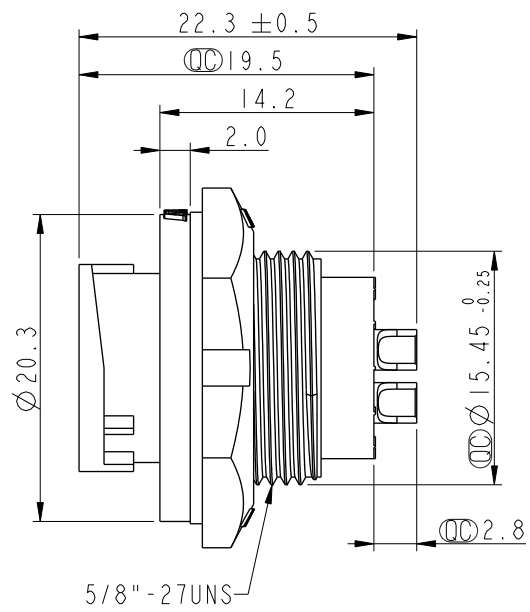
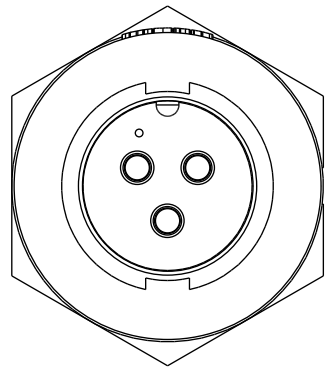
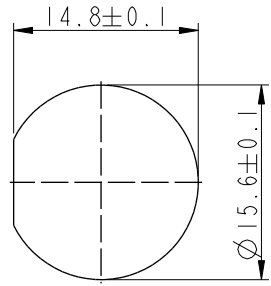


THIS DOCUMENT IS SUBJECT TO CHANGE WITHOUT NOTICE. IT IS CONFIDENTIAL AND A PROPERTY OF AMPHENOL LTW. DISCLOSURE TO THIRD PARTY HAS TO BE AUTHORIZED BY AMPHENOL LTW.

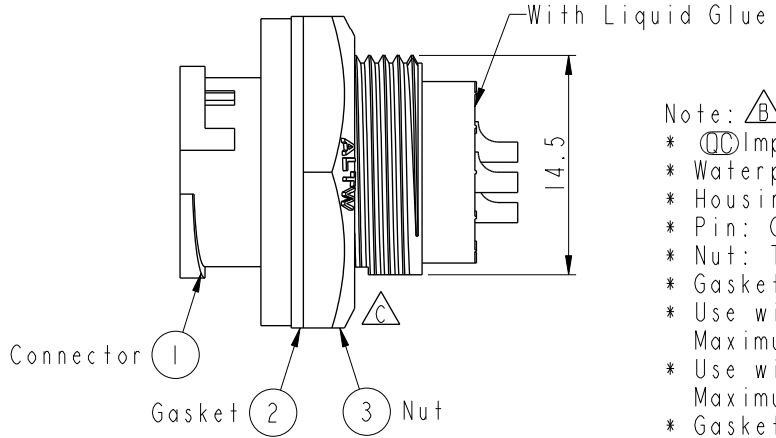
| REV. | ECN NO. | DATE | SIGN | DESCRIPTION |
|------|-----------------|------------|------|--------------------------------|
| A | Initial Release | 2014/02/05 | Ann | New Item |
| B | C190315 | 2019/03/19 | Ruru | Modify Note & Add QC Dimension |
| C | C240531 | 2024/05/21 | Ruru | $\triangle C$ X2 |



Pin Assignments
Front View



Recommended Panel
Cut-Out



- Note: $\triangle B$
- * ⌀ Important Dimension
 - * Waterproof Rate: IP67, Unmated
 - * Housing: Thermoplastic, Black
 - * Pin: Copper Alloy, Gold Plated
 - * Nut: Thermoplastic, Black
 - * Gasket: Rubber, Gray
 - * Use with waterproof cap or dust cap
Maximum Panel Thickness: 2.3mm
 - * Use without waterproof cap or dust cap
Maximum Panel Thickness: 3.5mm
 - * Gasket and Nut are packed separately in PE bags

| | | | | |
|-----------|-----------------|---------------|--|----------------|
| UNIT: mm | ⌀ | ⌀ | TITLE N CERES, ME, B-10A, 03P, REAR FASTENED M, M, SOLDER, 2LOCK $\triangle C$ | |
| TOLERANCE | .X ± 0.25 | .XX ± 0.1 | SCALE 2:1 | SIZE A4 |
| ANGLES | .XXX ± 0.05 | $\pm 1^\circ$ | REV. C | WC-REV. A.3 |
| | | | SHEET 1 OF 1 ⌀ : Inspection item | |

Amphenol LTW
安費諾亮泰企業股份有限公司

| | | |
|-------------------------------|---------------------|--------------------|
| ITEM NO. IBB-03RMMS-LC7001 | DRAWN BY Ruru | DATE 2024-05-21 |
| DWG NO. IBB-03RMMS-LC7001 | CHECKED BY Rita | DATE 2024-05-21 |
| CUSTOMER ALTW | APPROVED BY Fred | DATE 2024-05-21 |