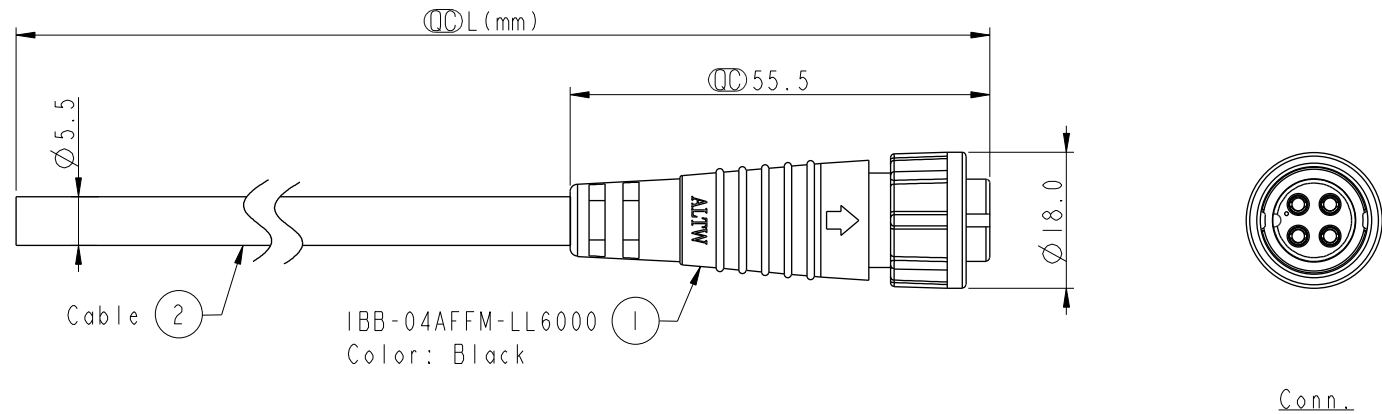
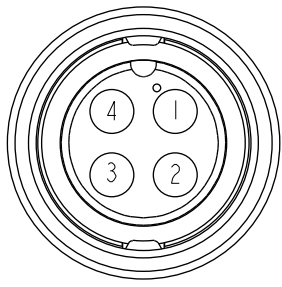


REV.	ECN NO.	DATE	SIGN	DESCRIPTION



IBB-04AFFM-LL6000  
Color: Black



Pin Assignments  
Front View



4	White	白
3	Black	黑
2	Blue	藍
1	Brown	棕
Conn.	Wire Color	
Pin Out		

IBB-04AFFM-LL6A<sup>XX</sup>

- ↑
- XX : 01~99Meters
- 01 : 01Meter
- 02 : 02Meters
- ...
- 99 : 99Meters

Cable Length(L): 01~99Meters

- Note:
- \*  $\varnothing$  Important Dimension To Check
  - \* Waterproof Rate: IP66
  - \* Housing: Nylon+GF, Black
  - \* Female Pin: Copper Alloy, Gold Plated
  - \* Cable: UL2464 20AWG\*4C+D+AL/My
  - PVC Jacket UV Resistant, OD=5.5, Black
  - \* Cable Length Tolerance: 01M: ±40mm
  - 02M~05M: ±60mm
  - 06M~10M: ±100mm
  - 11M~30M: ±200mm
  - 31M~99M: ±500mm

UNIT:mm	
TOLERANCE	± 0.5mm

TITLE STANDARD CNC PIN CABLE LOCK 4PIN F CONN F PIN			
SCALE 1:1	SIZE A4	SHEET 1 OF 1	
REV. A	WC-REV. A.1	$\varnothing$ : Inspection item	

**Amphenol LTW**  
安費諾亮泰企業股份有限公司

ITEM NO	DRAWN BY Ruru	DATE 2014-01-20
DWG NO IBB-04AFFM-LL6A <sup>XX</sup>	CHECKED BY Tony	DATE 2014-01-20
CUSTOMER ALTW	APPROVED BY Victor	DATE 2014-01-20

THIS DOCUMENT IS SUBJECT TO CHANGE WITHOUT NOTICE. IT IS CONFIDENTIAL AND A PROPERTY OF Amphenol LTW. DISCLOSURE TO THIRD PARTY HAS TO BE AUTHORIZED BY Amphenol LTW.