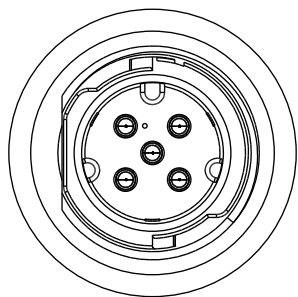
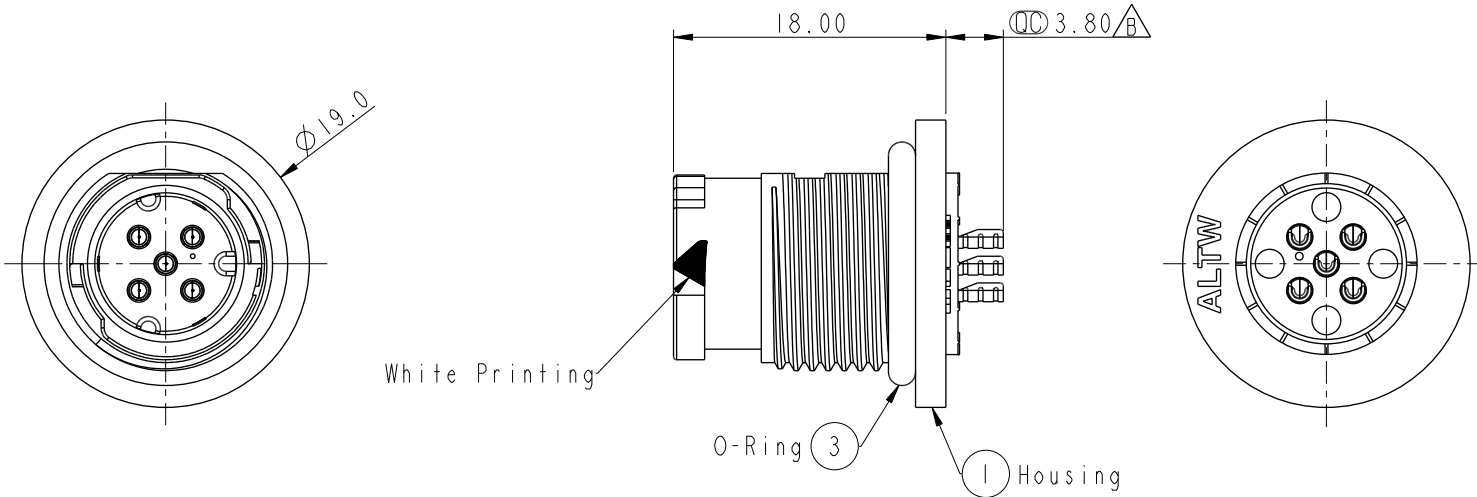
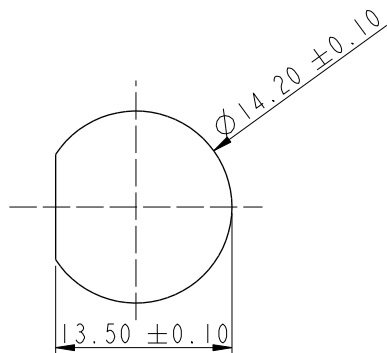


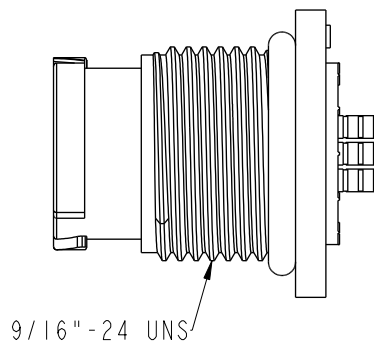
REV.	ECN NO.	DATE	SIGN	DESCRIPTION
F	C190403	2019/03/15	Vicky	Change Note
G	C200351	2020/04/06	Allen Pan	$\triangle G$ *4
H	C201628	2020/10/21	Vicky	$\triangle H$ *1



Pin Assignments
Front View



Recommended Panel Cut-out



- $\triangle D \triangle F$ Note:
- * QC Important Dimension To Check.
 - * Waterproof Rate: IP68, Unmated.
In 1 meter water within 24 hours
 - * Housing: Thermoplastic, Black.
 - * Pin: Copper Alloy, Gold Plated.
 - * Nut: Thermoplastic, Black.
 - $\triangle H$ * O-Ring: Rubber, Gray.
 - * Use Without Waterproof Cap
Panel Thickness Max: 4.0mm
 - * Use With Waterproof Cap
Panel Thickness Max: 3.0mm
 - * Nut are packed separately in PE bags.

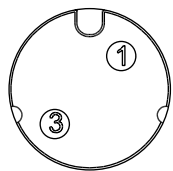
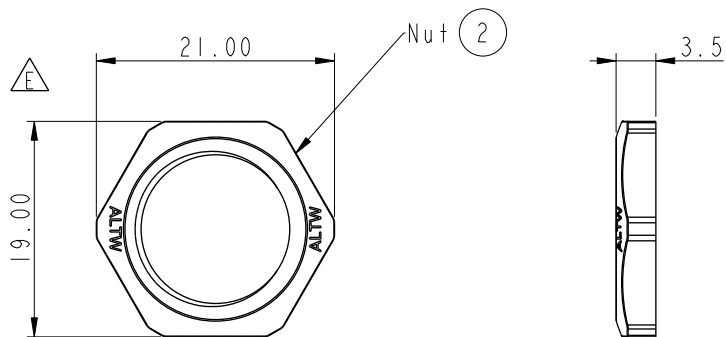
UNIT:mm			TITLE X Lok A-Size Receptacle Front Fastened M Conn M Pin		
TOLERANCE $\pm 0.5\text{mm}$	SCALE 1:1	SIZE A4	SHEET 1	OF 2	REV. H
	WC-REV. .0	QC : Inspection item			

Amphenol LTW
安費諾亮泰企業股份有限公司

ITEM NO	DRAWN BY Vicky	DATE 2019-03-15
DWG NO $\triangle G$ AD-XXPMS-QC8001	CHECKED BY Rita	DATE 2019-03-15
CUSTOMER ALTW	APPROVED BY Max	DATE 2019-03-15

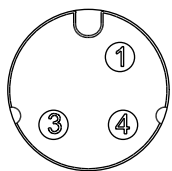
THIS DOCUMENT IS SUBJECT TO CHANGE WITHOUT NOTICE. IT IS CONFIDENTIAL AND A PROPERTY OF Amphenol LTW. DISCLOSURE TO THIRD PARTY HAS TO BE AUTHORIZED BY Amphenol LTW.

THIS DOCUMENT IS SUBJECT TO CHANGE WITHOUT NOTICE. IT IS CONFIDENTIAL AND A PROPERTY OF Amphenol LTW. DISCLOSURE TO THIRD PARTY HAS TO BE AUTHORIZED BY Amphenol LTW.



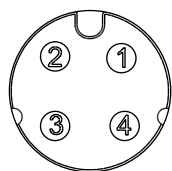
2PIN

AD-02PMMS-QC8001



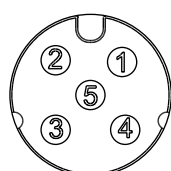
3PIN

AD-03PMMS-QC8001



4PIN

AD-04PMMS-QC8001



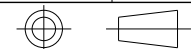
5PIN

AD-05PMMS-QC8001

AD-XXPMMS-QC8001

XX: No. Of Pin

UNIT:mm



TOLERANCE

±0.5mm

TITLE X Lok A-Size Receptacle Front Fastened M Conn M Pin			
SCALE 1:1	SIZE A4	SHEET 2 OF 2	
REV. H	WC-REV. .0	QC: Inspection item	

Amphenol LTW

安費諾亮泰企業股份有限公司

ITEM NO	DRAWN BY Vicky	DATE 2019-03-15
DWG NO AD-XXPMMS-QC8001	CHECKED BY Rita	DATE 2019-03-15
CUSTOMER ALTW	APPROVED BY Max	DATE 2019-03-15