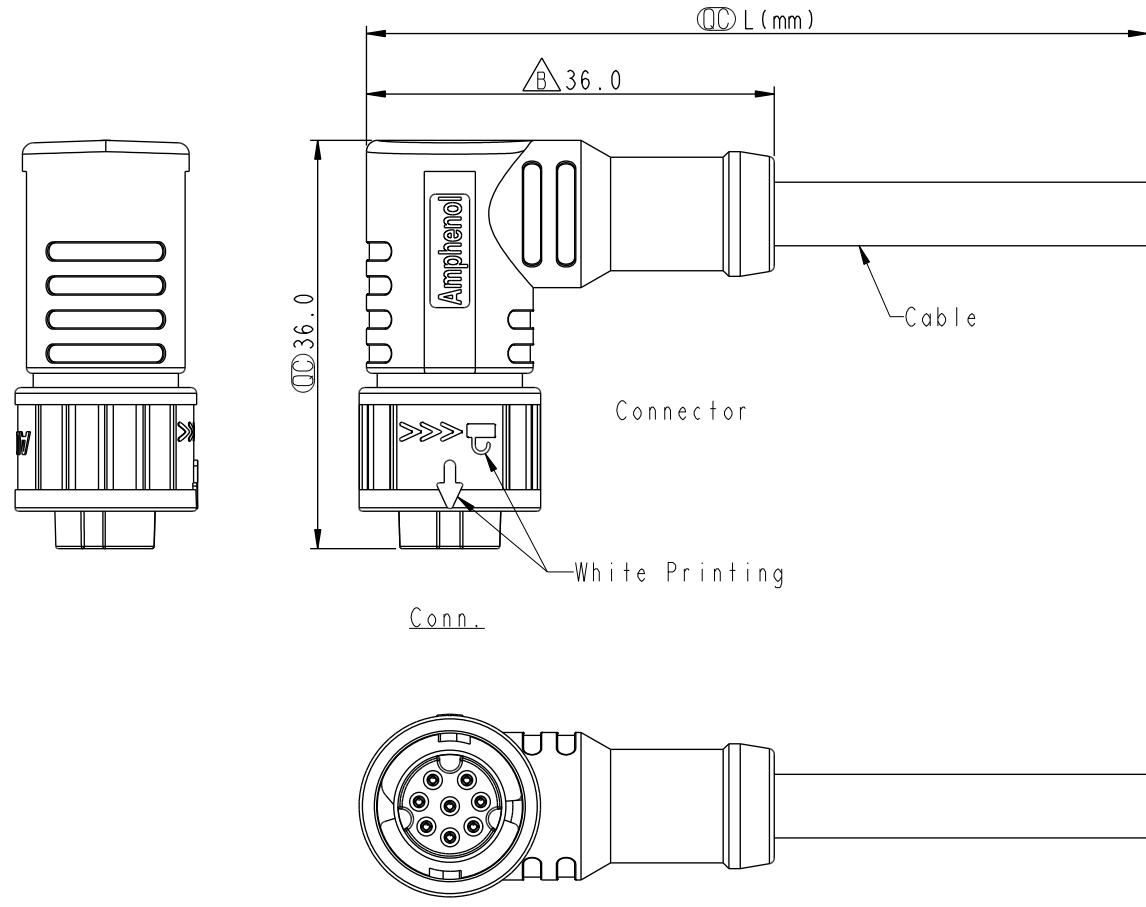


THIS DOCUMENT IS SUBJECT TO CHANGE WITHOUT NOTICE. IT IS CONFIDENTIAL AND A PROPERTY OF AMPHENOL LTW. DISCLOSURE TO THIRD PARTY HAS TO BE AUTHORIZED BY AMPHENOL LTW.

REV.	ECN NO.	DATE	SIGN	DESCRIPTION
A		2020/05/27	Allen Pan	Rev.03 To Rev.A
B	C220487	2022/04/06	Vicky	$\triangle B$ X7
C	C230091	2023/02/02	Ruru	$\triangle C$ X1



- $\triangle B$
Note:
- * RoHS Compliant
 - * ⌀ Important dimension
 - $\triangle C$ * Waterproof rate: IP68, mated 1m/24h
 - * Connector
 - Housing: Thermoplastic, Black
 - Pin: Copper alloy, Gold plated
 - O-Ring: Rubber, Black
 - Nut: Thermoplastic, Black
 - Outer mold: Thermoplastic, Black
 - * Cable: UL21388, PVC Jacket, Black
 - * Cable length tolerance: 1M: +50/-0 mm
 - 1M < L ≤ 3M: +100/-0 mm
 - 3M < L ≤ 5M: +150/-0 mm
 - 5M < L ≤ 10M: ±100 mm
 - 10M < L ≤ 20M: ±200 mm
 - 20M < L ≤ 30M: ±300 mm
 - 30M < L ≤ 99M: ±500 mm

UNIT: mm		TITLE	$\triangle B$
TOLERANCE	±0.5mm	XLOK, A-2A, CABLE W/O SR F, F, MOLDING, PUSH LOCK	
SCALE	3:2	SIZE	A4
REV.	C	SHEET	1 OF 2
WC-REV.	A.1	⌀	Inspection item

Amphenol LTW
安費諾亮泰企業股份有限公司

ITEM NO.	DRAWN BY	DATE
	Allen Pan	2020-05-27
DWG NO.	CHECKED BY	DATE
AU-XXBFFM-QR8DXX	Sam Ho	2020-05-27
CUSTOMER	APPROVED BY	DATE
ALTW	Fred Lee	2020-05-27

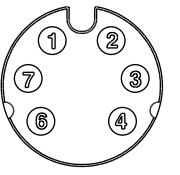
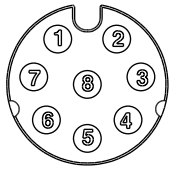
THIS DOCUMENT IS SUBJECT TO CHANGE WITHOUT NOTICE. IT IS CONFIDENTIAL AND A PROPERTY OF AMPHENOL LTW. DISCLOSURE TO THIRD PARTY HAS TO BE AUTHORIZED BY AMPHENOL LTW.

	8P	5.6	24	AU-08BFFM-QR8DXX
	6P	5.2		AU-06BFFM-QR8DXX
$\triangle B$	Contacts	Cable OD	AWG	Item No.

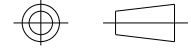
$\triangle B$
AU-XXBFFM-QR8DXX

XX: No. Of Pin

XX: 01~99Meters
 01: 01Meter
 02: 02Meters
 .
 99: 99Meters

C	Pin Out	7 Blue 藍	8 Red 紅
		6 Pink 粉紅	7 Blue 藍
		4 Yellow 黃	6 Pink 粉紅
		3 Green 綠	5 Gray 灰
		2 Brown 棕	4 Yellow 黃
		1 White 白	3 Green 綠
			2 Brown 棕
			1 White 白
		Pin # Wire	Pin # Wire
B	Conn.		
		6P	8P

$\triangle B$ Pin Assignments Front View

A	UNIT:mm		TITLE	$\triangle B$
	TOLERANCE	$\pm 0.5mm$	XLOK, A-2A, CABLE W/O SR F, F, MOLDING, PUSH LOCK	
	SCALE	3:2	SIZE	A4
	REV.	C	SHEET	2 OF 2
			WC-REV.	A.1
			QC : Inspection item	

Amphenol LTW
安費諾亮泰企業股份有限公司

ITEM NO	DRAWN BY	DATE
	Allen Pan	2020-05-27
DWG NO	CHECKED BY	DATE
AU-XXBFFM-QR8DXX	Sam Ho	2020-05-27
CUSTOMER	APPROVED BY	DATE
ALTW	Fred Lee	2020-05-27