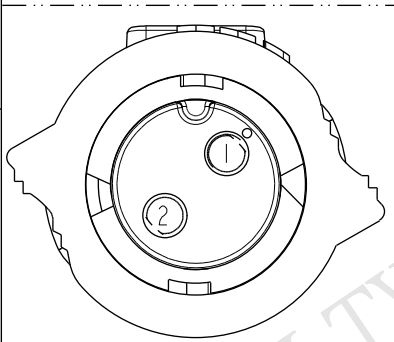
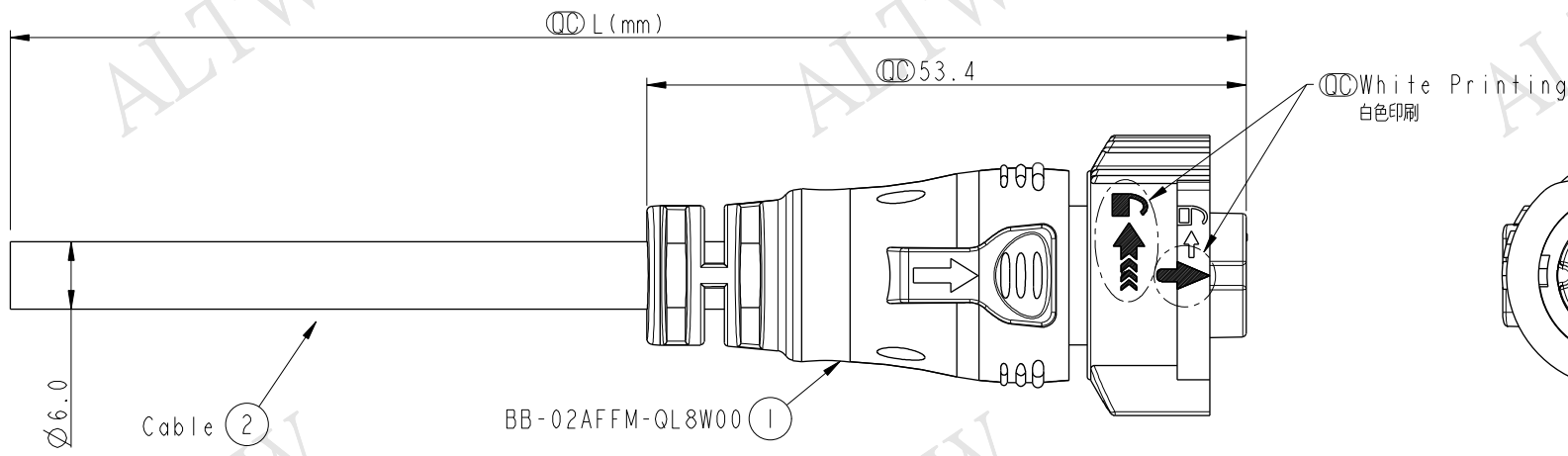


REV.	ECN NO.	DATE	SIGN	DESCRIPTION
B	LEN1540299	2015-04-16	Micky	Modify #2 Wire Colore

ALTW  
CONFIDENTIAL  
2015-04-16  
R&D DEPT.



Pin Assignments  
Front View

ALTW  
DCC. DEPT.  
CONFIDENTIAL  
2015.05.04  
ISSUED

BB-02AFFM-QL8D XX

↑

XX : 01~99Meters  
01 : 01Meter  
02 : 02Meters  
:  
:  
:  
99 : 99Meters

2	Red	紅	△
1	Black	黑	
Conn.	Wire Color		
Pin Out			

- Note:
- \* (CC) Important Dimension To Check.
  - \* Waterproof Rate: IP68(Mated, 1M/24H)
  - \* Working Voltage Rating: AC 300 V
  - \* Working Current Rating: 10A
  - \* Flame Class: UL94V-0
  - \* Housing: Nylon+GF, Black.(UV Resistance)
  - \* Female Pin: Copper Alloy, Gold Plated.
  - \* Rubber: Silicon, Gray
  - \* Cable: UL21388 16AWG\*2C+AL+My  
PVC Jacket UV Resistant, OD=6.0, Black.
  - \* Cable Length Tolerance: 01M:±40mm  
02M~05M:±60mm  
06M~10M:±100mm  
11M~30M:±200mm  
31M~99M:±500mm

UNIT:mm TOLERANCE .X ±0.5	TITLE X-Lok B-Size Molding F Conn F 2 Pin			ITEM NO		DRAWN BY Micky		DATE 2015-04-16			
	SCALE 3:2			SIZE A4		DWG NO BB-02AFFM-QL8DXX		CHECKED BY Spring		DATE 2015-04-16	
	REV. B			WC-REV. A.2		CUSTOMER ALTW		APPROVED BY Kevin		DATE 2015-04-16	
	SHEET 1 OF 1			(CC): Inspection item		<h2 style="margin: 0;">Amphenol LTW</h2> <p style="margin: 0;">安費諾亮泰企業股份有限公司</p>					

THIS DOCUMENT IS SUBJECT TO CHANGE WITHOUT NOTICE. IT IS CONFIDENTIAL AND A PROPERTY OF Amphenol LTW. DISCLOSURE TO THIRD PARTY HAS TO BE AUTHORIZED BY Amphenol LTW.