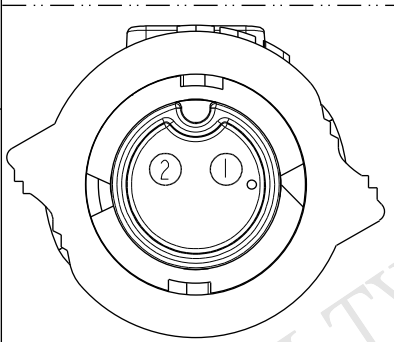
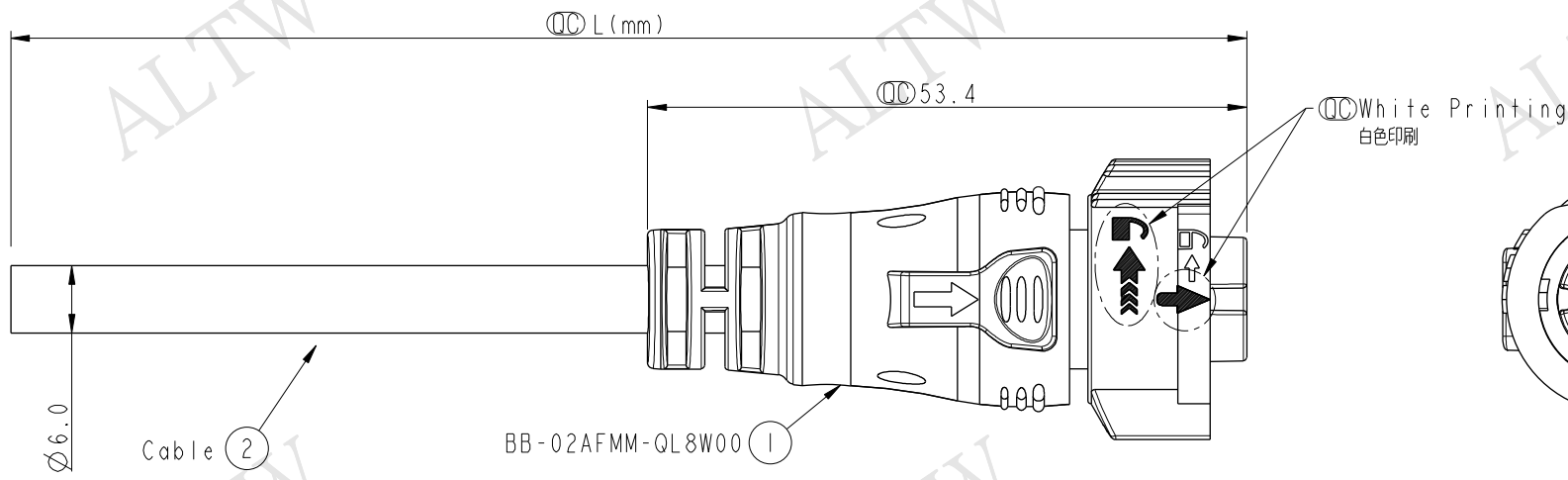


REV.	ECN NO.	DATE	SIGN	DESCRIPTION
B	LEN1540297	2015-04-16	Micky	Modify #2 Wire Colore

ALTW  
CONFIDENTIAL  
2015-04-16  
R&D DEPT.



Pin Assignments  
Front View

ALTW  
DCC. DEPT.  
CONFIDENTIAL  
2015.05.04  
ISSUED

BB-02AFMM-QL8D XX  
↑  
XX : 01~99Meters  
01 : 01Meter  
02 : 02Meters  
:  
:  
99 : 99Meters

2	Red	紅	△
1	Black	黑	
Conn.	Wire Color		
	Pin Out		

- Note:
- \* (QC) Important Dimension To Check.
  - \* Waterproof Rate: IP68(Mated)
  - \* Working Voltage Rating: AC 300 V
  - \* Working Current Rating: 10A
  - \* Flame Class: UL94V-0
  - \* Housing: Nylon+GF, Black.(UV Resistance)
  - \* Male Pin: Copper Alloy, Gold Plated.
  - \* Rubber: Silicon, Gray
  - \* Cable: UL21388 16AWG\*2C+AL+My  
PVC Jacket UV Resistant, OD=6.0, Black.
  - \* Cable Length Tolerance: 01M:±40mm  
02M~05M:±60mm  
06M~10M:±100mm  
11M~30M:±200mm  
31M~99M:±500mm

UNIT:mm TOLERANCE .X ±0.5	TITLE X-Lok B-Size Molding F Conn M 2 Pin			Amphenol LTW 安費諾亮泰企業股份有限公司		ITEM NO	DRAWN BY Micky	DATE 2015-04-16
	SCALE 3:2	SIZE A4	SHEET 1 OF 1			DWG NO BB-02AFMM-QL8DXX	CHECKED BY Spring	DATE 2015-04-16
	REV. B	WC-REV. A.2	(QC): Inspection item	CUSTOMER ALTW	APPROVED BY Kevin	DATE 2015-04-16		

THIS DOCUMENT IS SUBJECT TO CHANGE WITHOUT NOTICE. IT IS CONFIDENTIAL AND A PROPERTY OF Amphenol LTW. DISCLOSURE TO THIRD PARTY HAS TO BE AUTHORIZED BY Amphenol LTW.