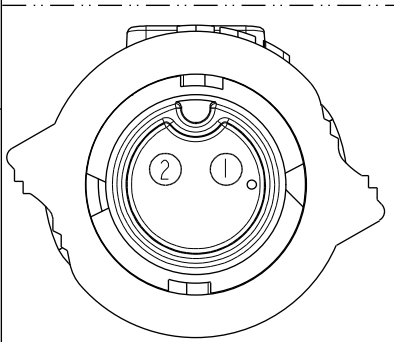
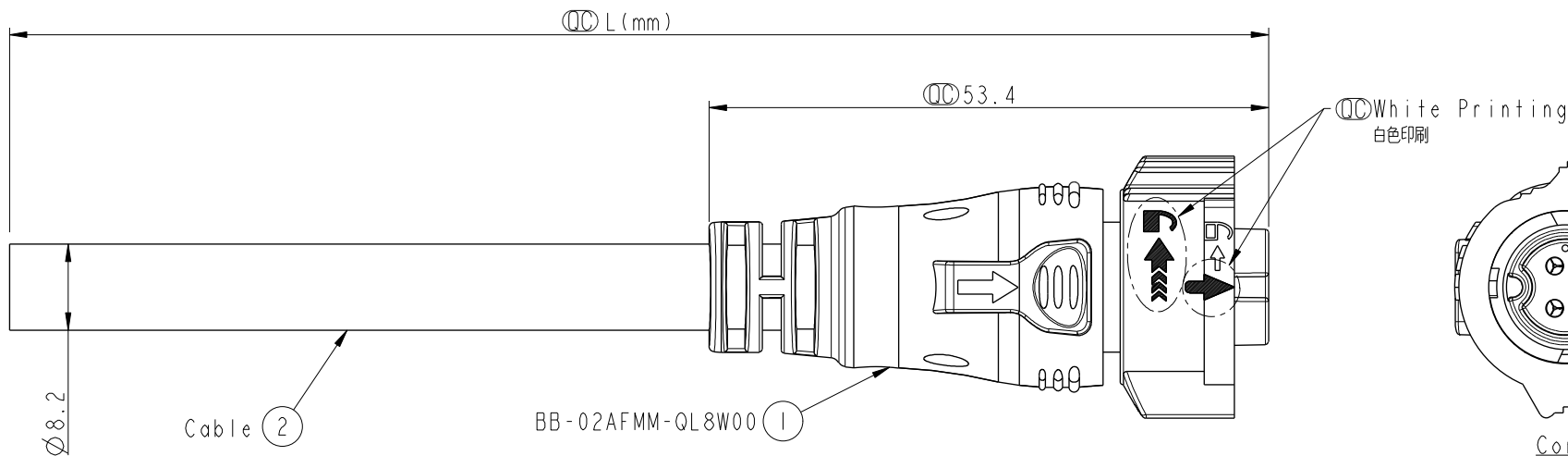


REV.	ECN NO.	DATE	SIGN	DESCRIPTION

ALTW
CONFIDENTIAL
2014-09-12
R&D DEPT.



Pin Assignments
Front View

ALTW
R&D DEPT.
CONFIDENTIAL
2014.11.26
ISSUED

BB-02AFMM-QL8E XX
↑
XX : 01~99Meters
01 : 01Meter
02 : 02Meters
:
:
99 : 99Meters

2	White	白
1	Black	黑
Conn.	Wire Color	
	Pin Out	

- Note:
- * Ⓞ Important Dimension To Check.
 - * Waterproof Rate: IP68(Mated)
 - * Working Voltage Rating: AC 300 V
 - * Working Current Rating: 10A
 - * Flame Class: UL94V-0 (UV Resistance)
 - * Housing: Nylon+GF, Black.
 - * Male Pin: Copper Alloy, Gold Plated.
 - * Rubber: Silicon, Gray
 - * Cable: SJTW 16AWG*2C + Filler
PVC Jacket UV Resistant, OD=8.2, Black.
 - * Cable Length Tolerance: 01M:±40mm
02M~05M:±60mm
06M~10M:±100mm
11M~30M:±200mm
31M~99M:±500mm

UNIT:mm		
TOLERANCE .X	±0.5	

TITLE X-Lok B-Size (Power) Molding F Conn M 2 Pin			
SCALE 3:2	SIZE A4	SHEET 1 OF 1	
REV. A	WC-REV. A.1	Ⓞ: Inspection item	

Amphenol LTW
安費諾亮泰企業股份有限公司

ITEM NO	DRAWN BY Micky	DATE 2014-09-12
DWG NO BB-02AFMM-QL8EXX	CHECKED BY Spring	DATE 2014-09-12
CUSTOMER ALTW	APPROVED BY Kevin	DATE 2014-09-12

THIS DOCUMENT IS SUBJECT TO CHANGE WITHOUT NOTICE. IT IS CONFIDENTIAL AND A PROPERTY OF Amphenol LTW. DISCLOSURE TO THIRD PARTY HAS TO BE AUTHORIZED BY Amphenol LTW.