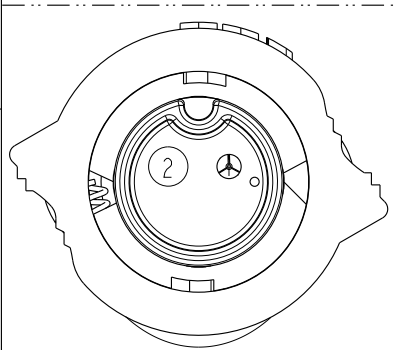
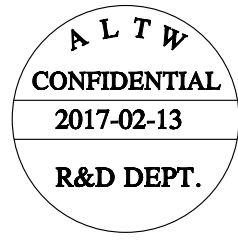
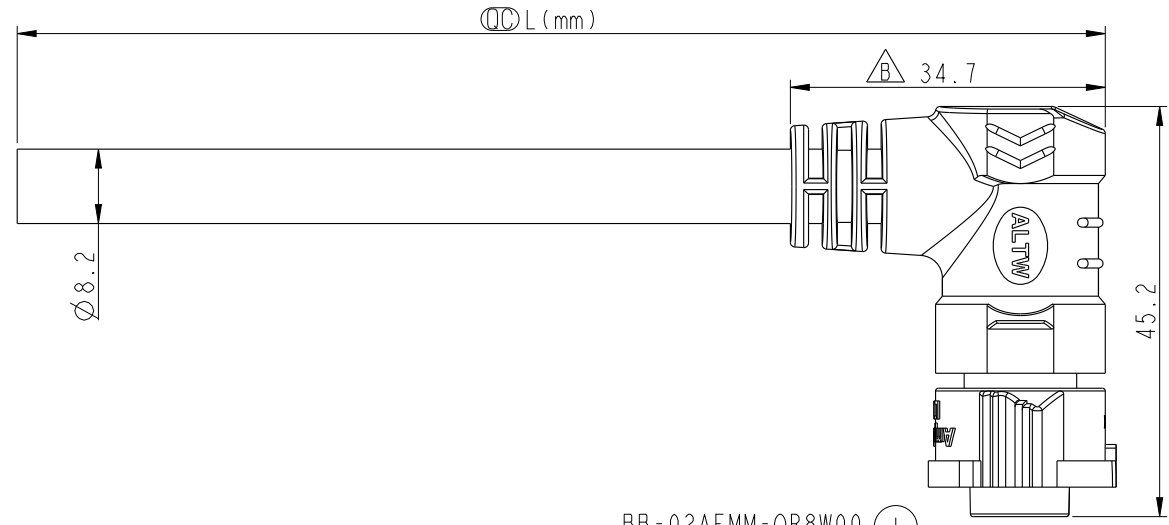


THIS DOCUMENT IS SUBJECT TO CHANGE WITHOUT NOTICE. IT IS CONFIDENTIAL AND A PROPERTY OF AMPHENOL LTW. DISCLOSURE TO THIRD PARTY HAS TO BE AUTHORIZED BY AMPHENOL LTW.

REV.	ECN NO.	DATE	SIGN	DESCRIPTION
B	LEN1720201	2017-02-13	Frank Deng	Change dimension from 34.0 to 34.7



2	White	白
1	Black	黑
Conn.	Wire Color	
	Pin Out	

BB-02AFMM-QR8EXX

↑

XX : 01~99Meters  
 01 : 01Meter  
 02 : 02Meters  
 :  
 :  
 :  
 99 : 99Meters

- Note:
- \*  $\varnothing$  Important Dimension To Check.
  - \* Waterproof Rate: IP68(Mated)
  - \* Working Voltage Rating: AC 300 V
  - \* Working Current Rating: 10A
  - \* Flame Class: UL94V-0 (UV Resistance)
  - \* Housing: Nylon+GF, Black.
  - \* Male Pin: Copper Alloy, Gold Plated.
  - \* Rubber: Silicon, Gray
  - \* Cable: SJTW 16AWG\*2C + Filler  
PVC Jacket UV Resistant, OD=8.2, Black.
  - \* Cable Length Tolerance: 01M:±40mm  
02M~05M:±60mm  
06M~10M:±100mm  
11M~30M:±200mm  
31M~99M:±500mm

UNIT:mm		
TOLERANCE	X	±0.5

TITLE X-Lok B-Size (Power) Molding F Conn M 2 Pin			
SCALE 6:5	SIZE A4	SHEET 1 OF 1	
REV. B	WC-REV. A.1	$\varnothing$ : Inspection item	

**Amphenol LTW**  
 安費諾亮泰企業股份有限公司

ITEM NO	DRAWN BY Frank Deng	DATE 2017-02-13
DWG NO BB-02AFMM-QR8EXX	CHECKED BY Spring Liu	DATE 2017-02-13
CUSTOMER ALTW	APPROVED BY Kevin Hu	DATE 2017-02-13