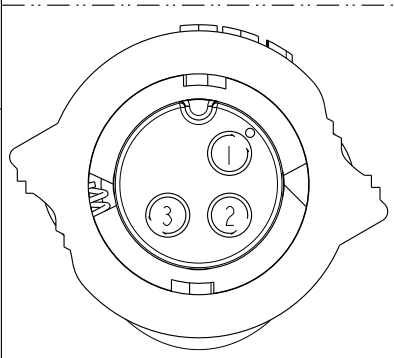
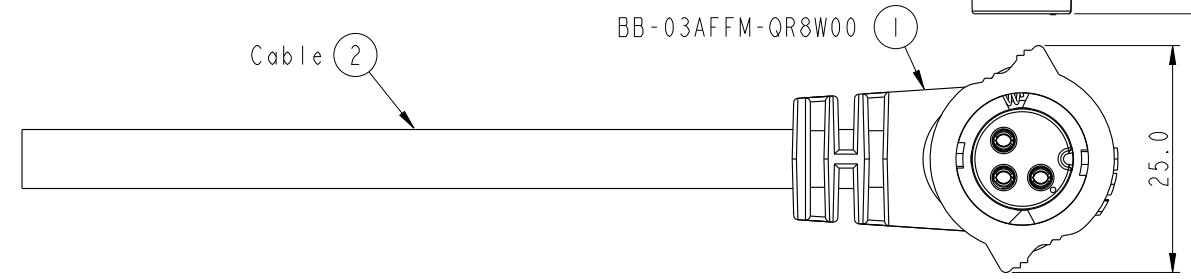
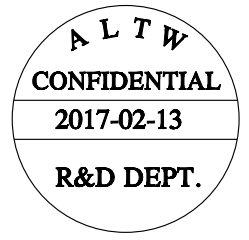
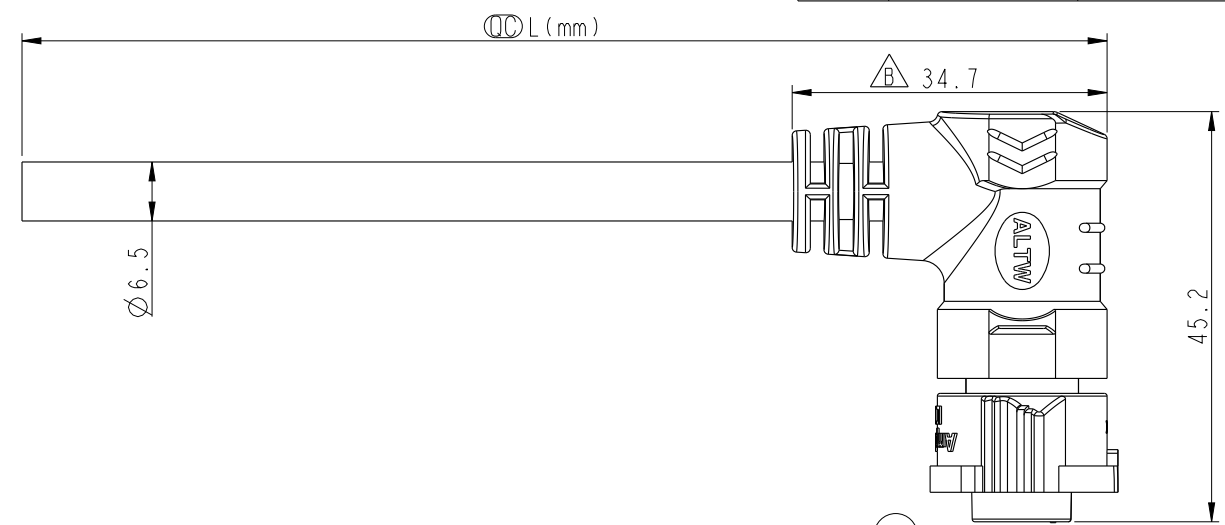


THIS DOCUMENT IS SUBJECT TO CHANGE WITHOUT NOTICE. IT IS CONFIDENTIAL AND A PROPERTY OF Amphenol LTW. DISCLOSURE TO THIRD PARTY HAS TO BE AUTHORIZED BY Amphenol LTW.

REV.	ECN NO.	DATE	SIGN	DESCRIPTION
B	LEN1720204	2017-02-13	Frank Deng	Change dimension from 34.0 to 34.7



Pin Assignments
Front View

3	Red	紅
2	Brown	棕
1	Black	黑
Conn.	Wire Color	
	Pin Out	

BB-03AFFM-QR8DXX

- XX :01~99Meters
- 01 :01Meter
- 02 :02Meters
- ...
- 99 :99Meters

- Note:
- * Ⓞ Important Dimension To Check.
 - * Waterproof Rate: IP68(Mated)
 - * Working Voltage Rating: AC 300 V
 - * Working Current Rating: 10A
 - * Flame Class: UL94V-0 (UV Resistance)
 - * Housing: Nylon+GF, Black.
 - * Female Pin: Copper Alloy, Gold Plated.
 - * Rubber: Silicon, Gray
 - * Cable: UL21388 16AWG*3C+AL+My
PVC Jacket UV Resistant, OD=6.5, Black.
 - * Cable Length Tolerance: 01M:±40mm
02M~05M:±60mm
06M~10M:±100mm
11M~30M:±200mm
31M~99M:±500mm

UNIT:mm		
TOLERANCE .X	±0.5	

TITLE X-Lok B-Size Molding F Conn F 3 Pin			
SCALE 6:5	SIZE A4	SHEET 1 OF 1	
REV. B	WC-REV. A.2	Ⓞ : Inspection item	

Amphenol LTW
安費諾亮泰企業股份有限公司

ITEM NO	DRAWN BY Frank Deng	DATE 2017-02-13
DWG NO BB-03AFFM-QR8DXX	CHECKED BY Spring Liu	DATE 2017-02-13
CUSTOMER ALTW	APPROVED BY Kevin Hu	DATE 2017-02-13