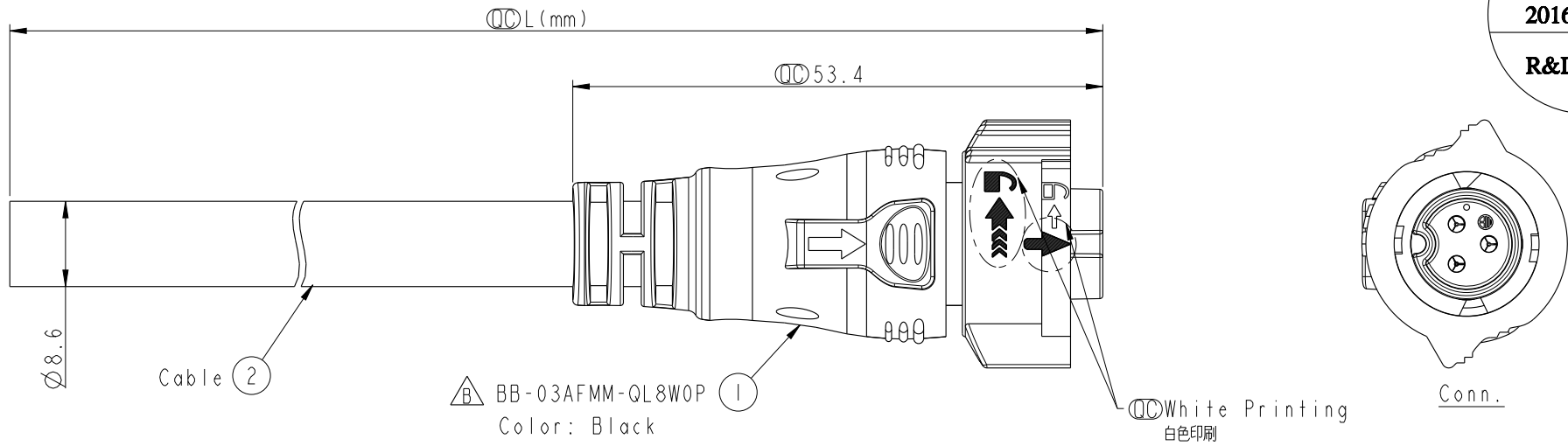
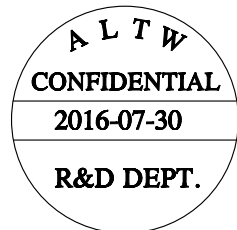
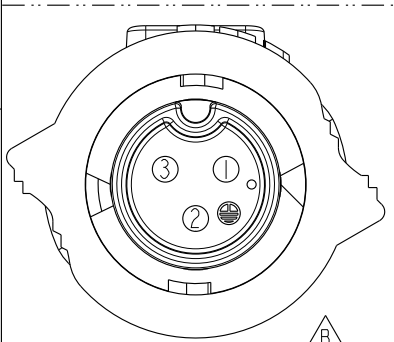


REV.	ECN NO.	DATE	SIGN	DESCRIPTION
B	LE31680195	2016-07-30	Tom Gu	Change Part No. of Half Finished



△ BB-03AFMM-QL8WOP
Color: Black

○ White Printing
白色印刷



Pin Assignments
Front View



BB-03AFMM-QL8E XX
 ↑
 XX : 01~99Meters
 01 : 01Meter
 02 : 02Meters
 :
 :
 99 : 99Meters

3	White	白
2	Green	綠
1	Black	黑
Conn.	Wire Color	
	Pin Out	

- Note:
- * ○ Important Dimension To Check.
 - * Waterproof Rate: IP68(Mated)
(In 1 meter water within 24 hours)
 - * Working Voltage Rating: AC 300 V
 - * Working Current Rating: 10A
 - * Housing: Nylon+GF, Black.
 - * Male Pin: Copper Alloy, Gold Plated.
 - * Rubber: Silicon, Gray
 - * Cable: SJTW 16AWG*3C + Filler
PVC Jacket UV Resistant, OD=8.6, Black.
 - * Cable Length Tolerance: 01M:±40mm
02M~05M:±60mm
06M~10M:±100mm
11M~30M:±200mm
31M~99M:±500mm

UNIT:mm		
TOLERANCE	±0.5	

TITLE X-Lok B-Size (Power) Molding F Conn M 3 Pin			
SCALE 3:2	SIZE A4	SHEET 1 OF 1	
REV. B	WC-REV. A.1	◎: Inspection item	

Amphenol LTW
安費諾亮泰企業股份有限公司

ITEM NO	DRAWN BY Tom Gu	DATE 2016-07-30
DWG NO BB-03AFMM-QL8EXX	CHECKED BY Spring Liu	DATE 2016-07-30
CUSTOMER ALTW	APPROVED BY Kevin Hu	DATE 2016-07-30

THIS DOCUMENT IS SUBJECT TO CHANGE WITHOUT NOTICE. IT IS CONFIDENTIAL AND A PROPERTY OF Amphenol LTW. DISCLOSURE TO THIRD PARTY HAS TO BE AUTHORIZED BY Amphenol LTW.