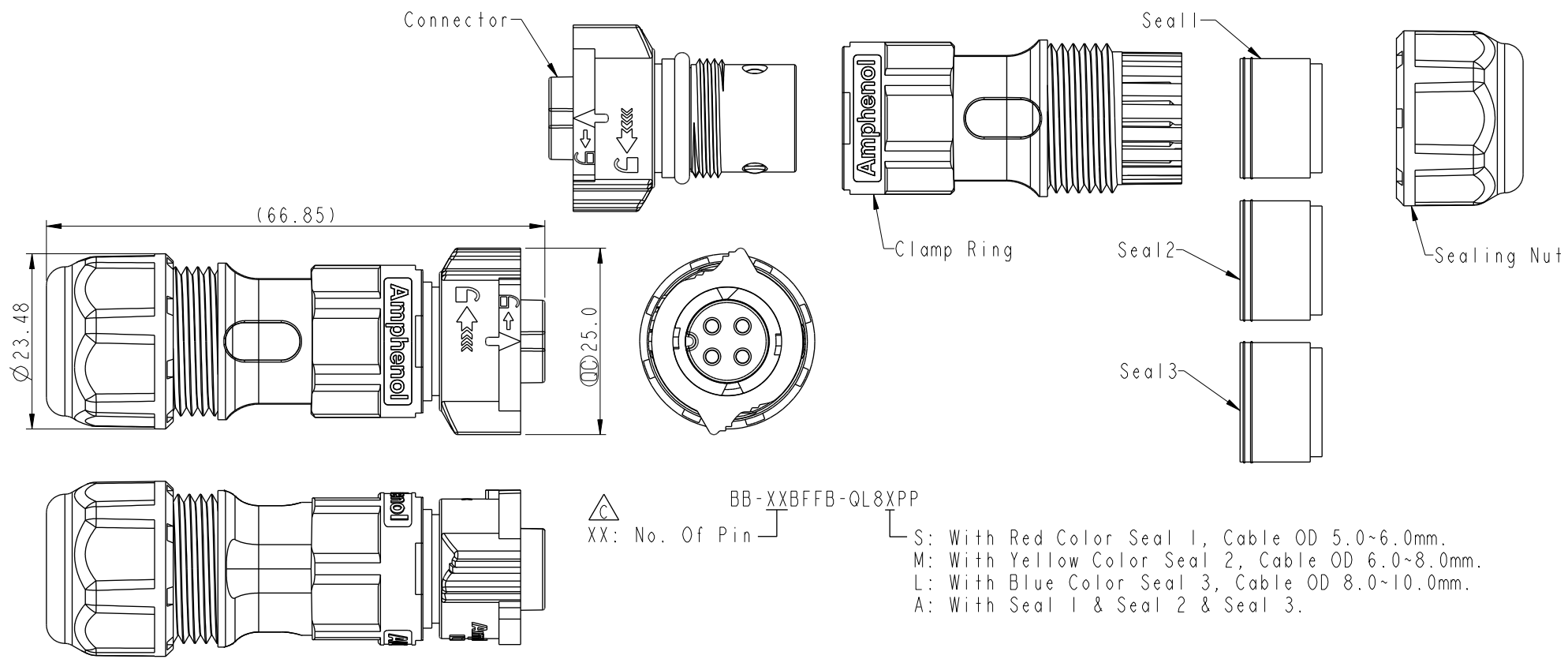


THIS DOCUMENT IS SUBJECT TO CHANGE WITHOUT NOTICE. IT IS CONFIDENTIAL AND A PROPERTY OF Amphenol LTW. DISCLOSURE TO THIRD PARTY HAS TO BE AUTHORIZED BY Amphenol LTW.

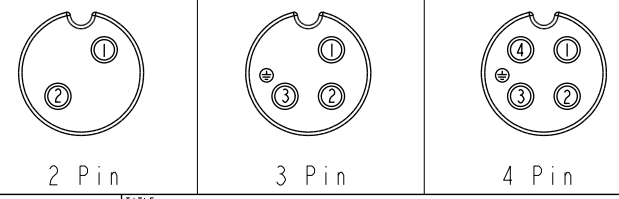
REV.	ECN NO.	DATE	SIGN	DESCRIPTION
A		2021/02/04	Allen	Rev.02 To Rev.A.
B	C210889	2021/04/19	Allen	$\triangle B$ X1.
C	C230124	2023/02/07	Ruru	$\triangle C$ X2



$\triangle C$ BB-XXBFFB-QL8XPP
 XX: No. Of Pin
 S: With Red Color Seal 1, Cable OD 5.0~6.0mm.
 M: With Yellow Color Seal 2, Cable OD 6.0~8.0mm.
 L: With Blue Color Seal 3, Cable OD 8.0~10.0mm.
 A: With Seal 1 & Seal 2 & Seal 3.

Note:
 * \varnothing Important Dimension
 $\triangle A$ * Waterproof Rate: IP68, Mated 1m/24h
 * Housing: Thermoplastic, Black.
 * Pin: Copper Alloy, Silver Plated.
 * Clamp Ring: Thermoplastic, Black.
 * Sealing Nut: Thermoplastic, Black.
 * Seals: Rubber.
 * One set unassembled in one PE bag
 * RoHS Compliant

Pin Assignments Front View



UNIT:mm		TITLE	XLOK, B-10A, CABLE W/O SR F, F, FI SCREW IN, XLOK		
TOLERANCE	± 0.5 mm	SCALE	1:1	SIZE	A4
		REV.	C	WC-REV.	A.5
				\varnothing	Inspection item

Amphenol LTW
 安費諾亮泰企業股份有限公司

ITEM NO	DRAWN BY	DATE
	Allen	2021/02/04
DWG NO	CHECKED BY	DATE
$\triangle B$ BB-XXBFFB-QL8XPP	Wen	2021/02/04
CUSTOMER	APPROVED BY	DATE
ALTW	Neo	2021/02/04