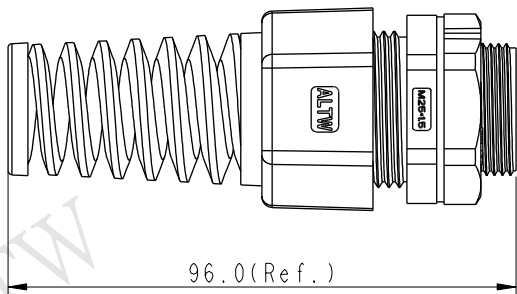
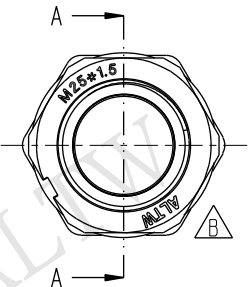
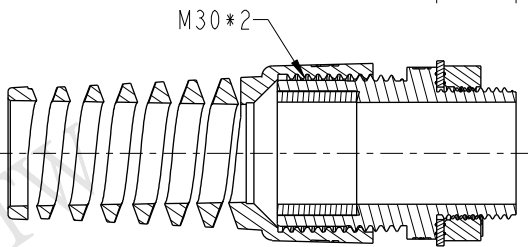
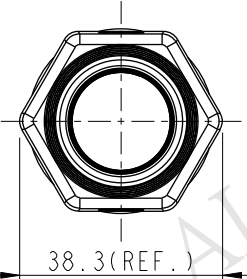
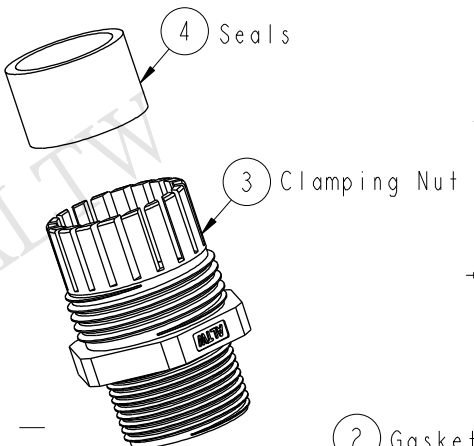
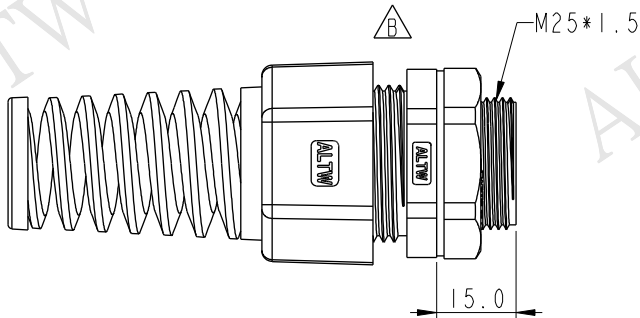
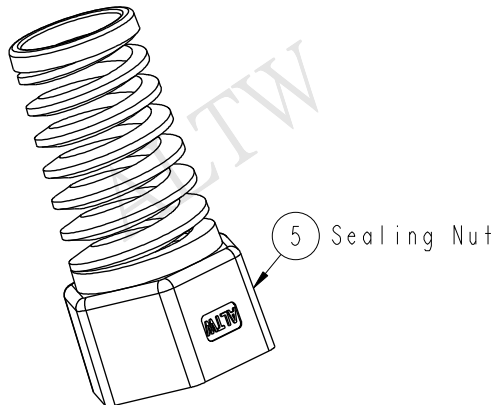
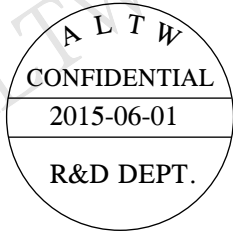
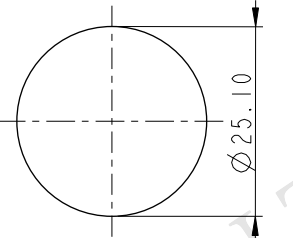


REV.	ECN NO.	DATE	SIGN	DESCRIPTION
B	LEN1570053	2015/06/01	Ruru	Change Logo

THIS DOCUMENT IS SUBJECT TO CHANGE WITHOUT NOTICE. IT IS CONFIDENTIAL AND A PROPERTY OF Amphenol LTW. DISCLOSURE TO THIRD PARTY HAS TO BE AUTHORIZED BY Amphenol LTW.



- Note:
- \* Waterproof Rate: IP68
  - \* Screw Nut: Nylon, Black
  - \* Clamp Ring: Nylon, Black
  - \* Sealing Nut: Nylon, Black
  - \* Gasket: EPDM, Black
  - \* Seals: EPDM, Black
  - \* Panel Thickness: 6.2mm max
  - \* Cable Range:  $\varnothing 18\text{mm} \sim \varnothing 13\text{mm}$
  - \* Spanner Size:
    - ① Screw Nut: 33mm
    - ③ Body: 32.5mm
    - ⑤ Sealing Nut: 34mm



Recommended Panel Cut-Out

UNIT: mm		TITLE M25 Straight with SR			ITEM NO CSG-25M005	DRAWN BY Ruru	DATE 2015-06-01
		SCALE 3:5    SIZE A4    SHEET 1 OF 1			DWG NO CSG-25M005	CHECKED BY Rita	DATE 2015-06-01
TOLERANCE .X ±0.25 .XX ±0.1 .XXX ±0.05 ANGLES ±1°		REV. B	WC-REV. A.1	安費諾亮泰企業股份有限公司 Amphenol LTW 安費諾亮泰企業股份有限公司	CUSTOMER ALTW	APPROVED BY Lion	DATE 2015-06-01