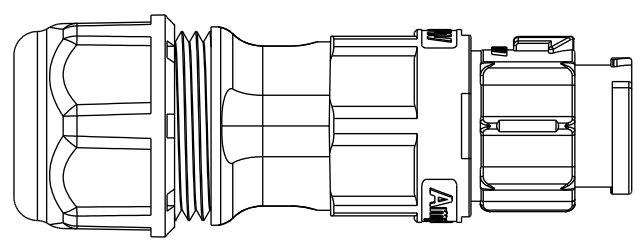
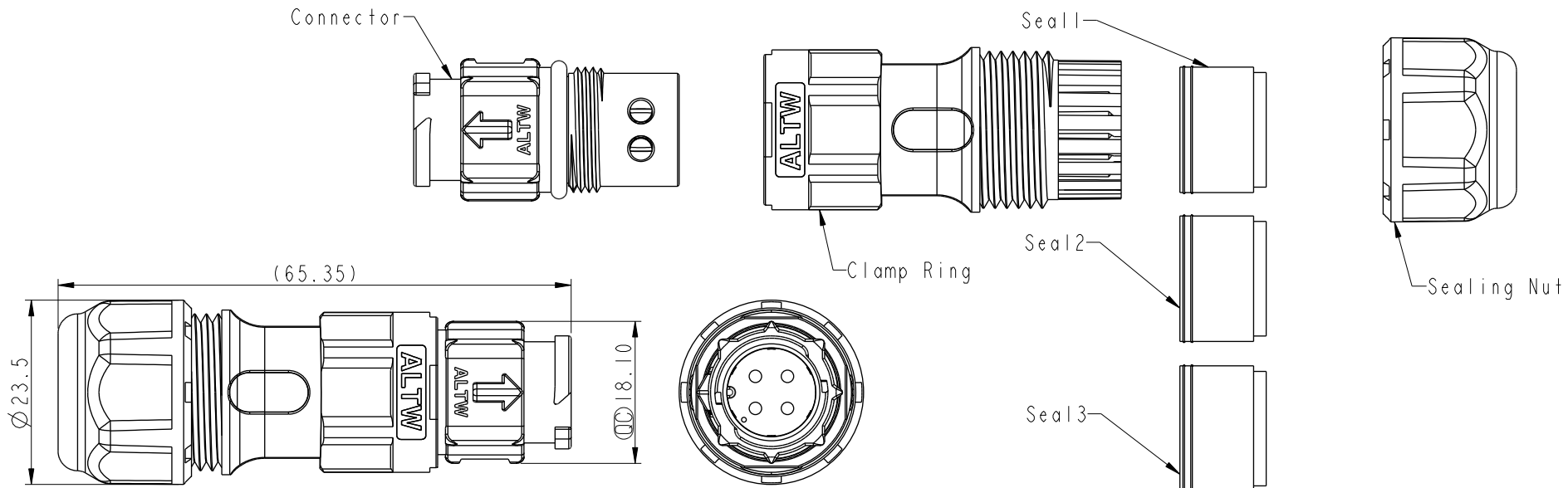


THIS DOCUMENT IS SUBJECT TO CHANGE WITHOUT NOTICE. IT IS CONFIDENTIAL AND A PROPERTY OF Amphenol LTW. DISCLOSURE TO THIRD PARTY HAS TO BE AUTHORIZED BY Amphenol LTW.

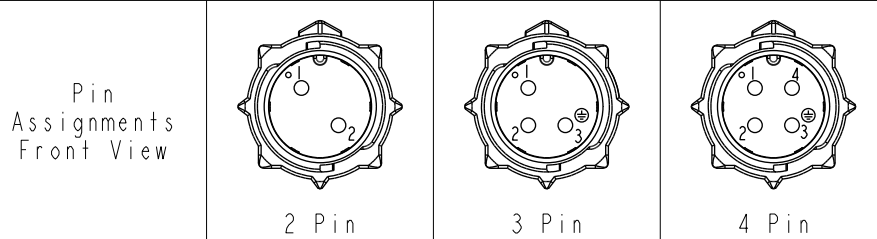
REV.	ECN NO.	DATE	SIGN	DESCRIPTION
A	-	2021/02/08	Allen	Rev.02 To Rev.A
B	C210889	2021/04/19	Allen	$\triangle B$ X1
C	C230124	2023/02/07	Ruru	$\triangle C$ X2



$\triangle C$  BB-XXBMMB-QL8XPP  
 XX: No. Of Pin

- S: With Red Color Seal 1, Cable OD 5.0~6.0mm.
- M: With Yellow Color Seal 2, Cable OD 6.0~8.0mm.
- L: With Blue Color Seal 3, Cable OD 8.0~10.0mm.
- A: With Seal 1 & Seal 2 & Seal 3.

- Note:
- \*  $\text{\textcircled{O}}$  Important Dimension
  - \*  $\triangle C$  Waterproof Rate: IP68, Mated 1m/24h.
  - \* Housing: Thermoplastic, Black.
  - \* Pin: Copper Alloy, Silver Plated.
  - \* Clamp Ring: Thermoplastic, Black.
  - \* Sealing Nut: Thermoplastic, Black.
  - \* Seals: Rubber.
  - \* One set unassembled in one PE bag
  - \* RoHS Compliant



UNIT:mm	$\text{\textcircled{O}}$	$\text{\textcircled{O}}$	TITLE XLOK, B-10A, CABLE W/O SR $\triangle B$ M, M, FI SCREW IN, XLOK	
TOLERANCE	$\pm 0.5$ mm	SCALE 1:1	SIZE A4	SHEET 1 OF 1
		REV. C	WC-REV. A.5	$\text{\textcircled{O}}$ : Inspection item

<b>Amphenol LTW</b> 安費諾亮泰企業股份有限公司		ITEM NO	DRAWN BY Allen	DATE 2021/02/08
		DWG NO BB-XXBMMB-QL8XPP	CHECKED BY Wen	DATE 2021/02/08
		CUSTOMER ALTW	APPROVED BY Neo	DATE 2021/02/08