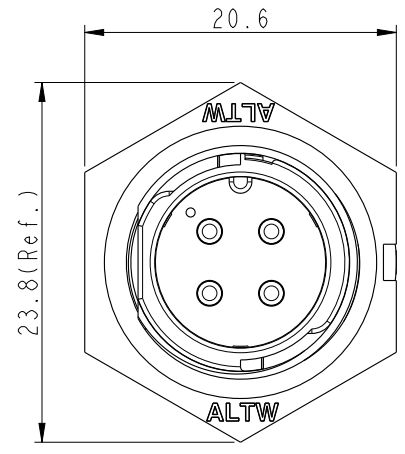
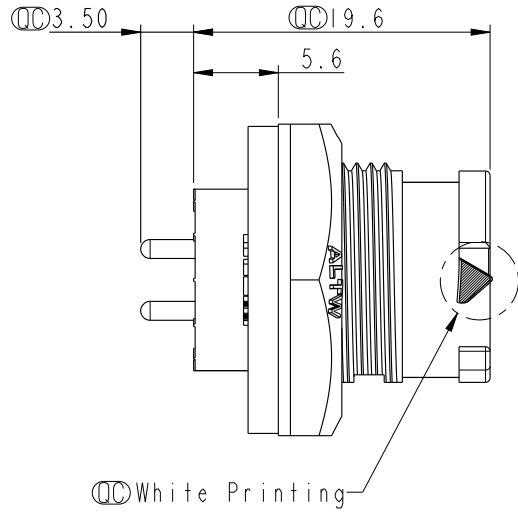
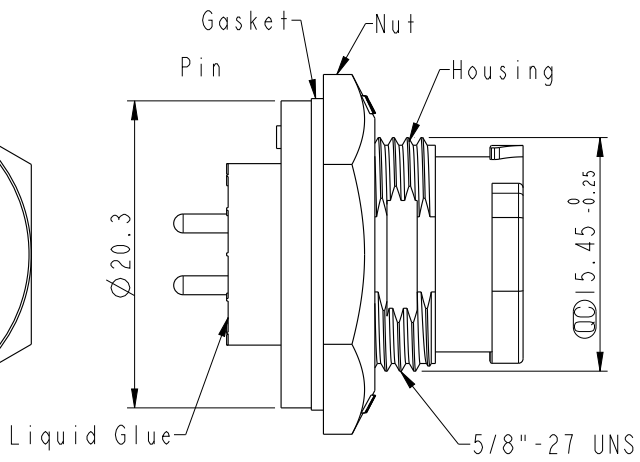
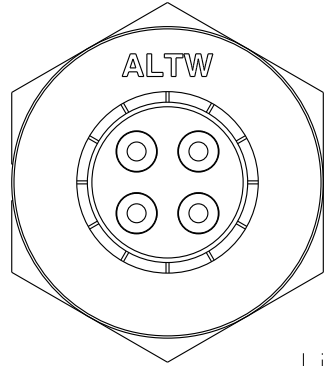
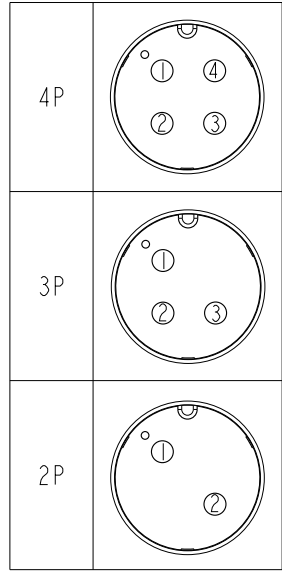
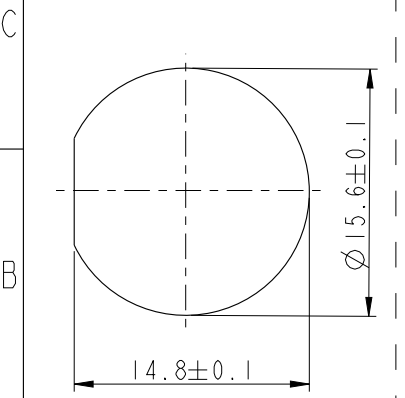
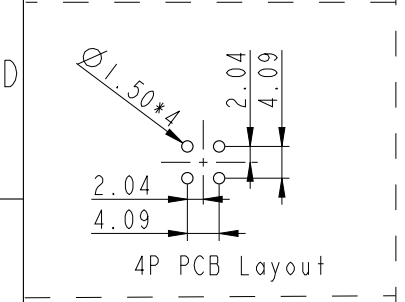
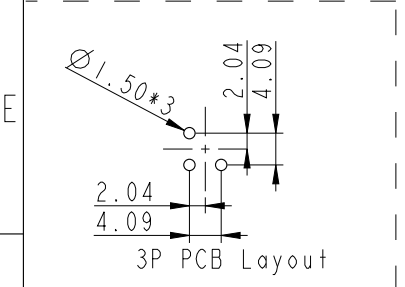
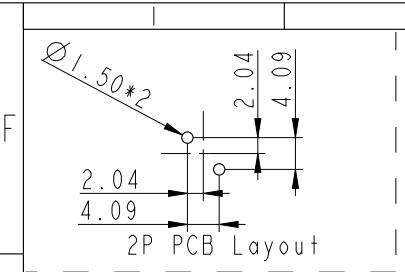


THIS DOCUMENT IS SUBJECT TO CHANGE WITHOUT NOTICE. IT IS CONFIDENTIAL AND A PROPERTY OF AMPHENOL LTW. DISCLOSURE TO THIRD PARTY HAS TO BE AUTHORIZED BY AMPHENOL LTW.

REV.	ECN NO.	DATE	SIGN	DESCRIPTION



BB-XXPMMP-QC8001  
 02: 2 Pin  
 03: 3 Pin  
 04: 4 Pin

- Note:
- \*  $\varnothing$  Important Dimension To Check.
  - \* Waterproof Rate: IP68, Unmated.
  - \* Housing: Thermoplastic, Black.
  - \* Pin: Copper Alloy, Gold Plated.
  - \* Nut: Thermoplastic, Black.
  - \* Gasket: Rubber, Gary.
  - \* Use Without Waterproof Cap  
Panel Thickness Max: 4.0mm
  - \* Use With Waterproof Cap  
Panel Thickness Max: 3.0mm
  - \* Gasket and Nut are packed separately in PE bags.

UNIT: mm		
TOLERANCE	.X ±0.25	
	.XX ±0.1	
	.XXX ±0.05	
ANGLES	±1°	

TITLE XLOK, B-10A, 04P, FRONT FASTENED M, M, PCB S, PUSH LOCK			
SCALE 2:1	SIZE A4	SHEET 1 OF 1	
REV. A	WC-REV. .0	⊙: Inspection item	

**Amphenol LTW**  
 安費諾亮泰企業股份有限公司

ITEM NO	DRAWN BY Feng_Li	DATE 2020-06-24
DWG NO BB-XXPMMP-QC8001	CHECKED BY Jerry	DATE 2020-06-24
CUSTOMER ALTW	APPROVED BY Max	DATE 2020-06-24