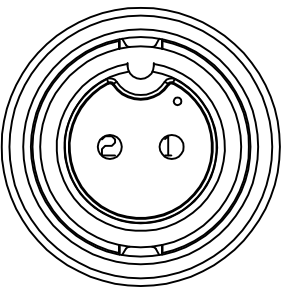
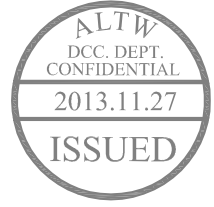
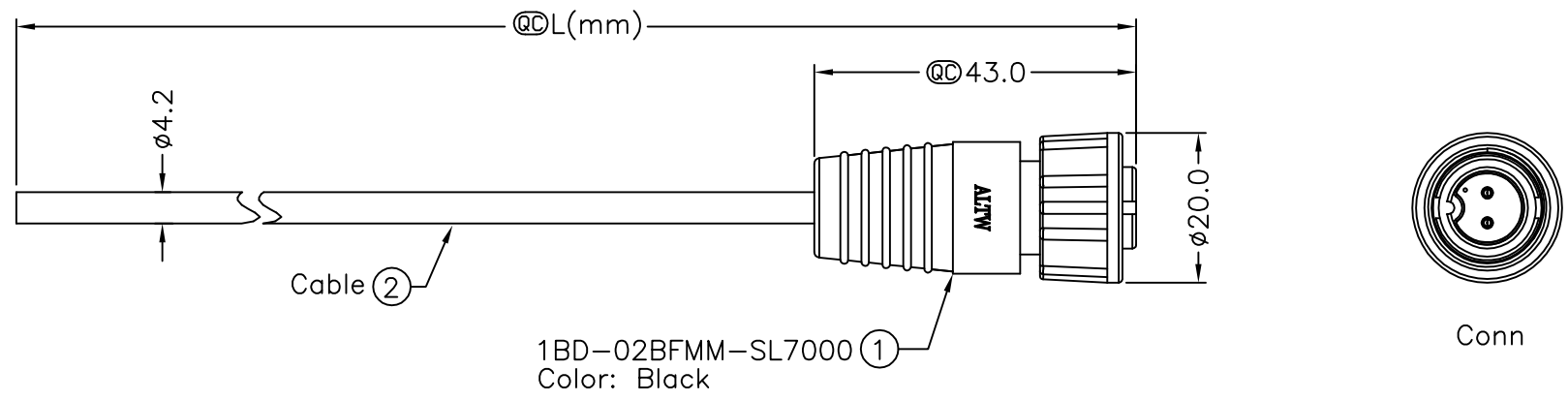


5	6	7	8
REV.	ECN NO.	DATE	SIGN
			DESCRIPTION

THIS DOCUMENT IS SUBJECT TO CHANGE WITHOUT NOTICE. IT IS CONFIDENTIAL AND A PROPERTY OF Amphenol LTW. DISCLOSURE TO THIRD PARTY HAS TO BE AUTHORIZED BY Amphenol LTW.



2	Red	紅
1	Black	黑
Conn.1	Wire Color	
Pin Out		

1BD-02BFMM-SL7AXX

- XX :01~99Meters
- 01 :01 Meters
- 02 :02 Meters
- ...
- 99 :99 Meters

Cable Length(L):01~99Meters

- Note :
- * @C Important Dimension To Check.
 - * Waterproof Rate: IP67
 - * Housing: Nylon+GF, Black.
 - * Male Pin: Copper Alloy, Gold Plated.
 - * Cable: UL2464 24AWG*2C+D+AL/My PVC Jacket UV Resistant, OD=4.2, Black.
 - * Cable Length Tolerance: 01M: ±40mm
 - 02M~05M: ± 60mm
 - 06M~10M: ± 100mm
 - 11M~30M: ± 200mm
 - 31M~99M: ± 500mm

UNIT:mm	
TOLERANCE	±0.5 mm

TITLE		STANDARD CNC PIN	
CABLE SCREW 2PIN F CONN M PIN			
SCALE	Free	SHEET	1 OF 1
REV.	A	SIZE	A4
@C :Inspection Item			

Amphenol LTW
安費諾亮泰企業股份有限公司

ITEM NO	
DWG NO	1BD-02BFMM-SL7AXX
CUSTOMER	ALTW

DRAWN BY	Ruru
CHECKED BY	Tony
APPROVED BY	Victor

DATE	2013/11/19
DATE	2013/11/19
DATE	2013/11/19