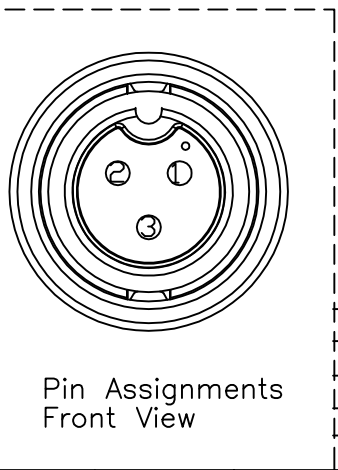
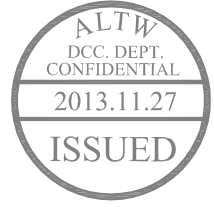
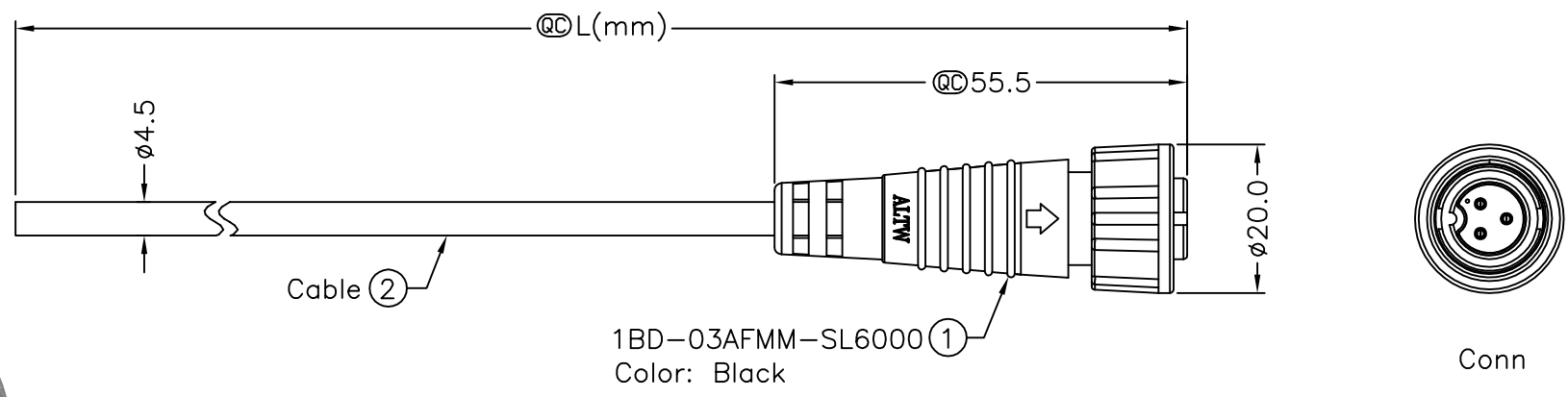


5	6	7	8
REV.	ECN NO.	DATE	SIGN
			DESCRIPTION



3	Black	黑
2	Blue	藍
1	Brown	棕
Conn.1	Wire Color	
Pin Out		

1BD-03AFMM-SL6AXX

- XX:01~99Meters
- 01:01 Meters
- 02:02 Meters
- ⋮
- 99:99 Meters

Cable Length(L):01~99Meters

- Note :
- \* @C Important Dimension To Check.
  - \* Waterproof Rate: IP66
  - \* Housing: Nylon+GF, Black.
  - \* Male Pin: Copper Alloy, Gold Plated.
  - \* Cable: UL2464 24AWG\*3C+D+AL/My PVC Jacket UV Resistant, OD=4.5, Black.
  - \* Cable Length Tolerance: 01M: ±40mm  
02M~05M: ±60mm  
06M~10M: ±100mm  
11M~30M: ±200mm  
31M~99M: ±500mm

UNIT:mm	TITLE		Amphenol LTW		ITEM NO	DRAWN BY	DATE
TOLERANCE	STANDARD CNC PIN		安費諾亮泰企業股份有限公司		DWG NO	Ruru	2013/11/19
±0.5 mm	CABLE SCREW 3PIN F CONN M PIN				1BD-03AFMM-SL6AXX	CHECKED BY	DATE
	SCALE	SHEET			CUSTOMER	Tony	2013/11/19
	Free	1 OF 1			ALTW	APPROVED BY	DATE
	REV. A	SIZE A4				Victor	2013/11/19
		@C :Inspection Item					

THIS DOCUMENT IS SUBJECT TO CHANGE WITHOUT NOTICE. IT IS CONFIDENTIAL AND A PROPERTY OF Amphenol LTW. DISCLOSURE TO THIRD PARTY HAS TO BE AUTHORIZED BY Amphenol LTW.