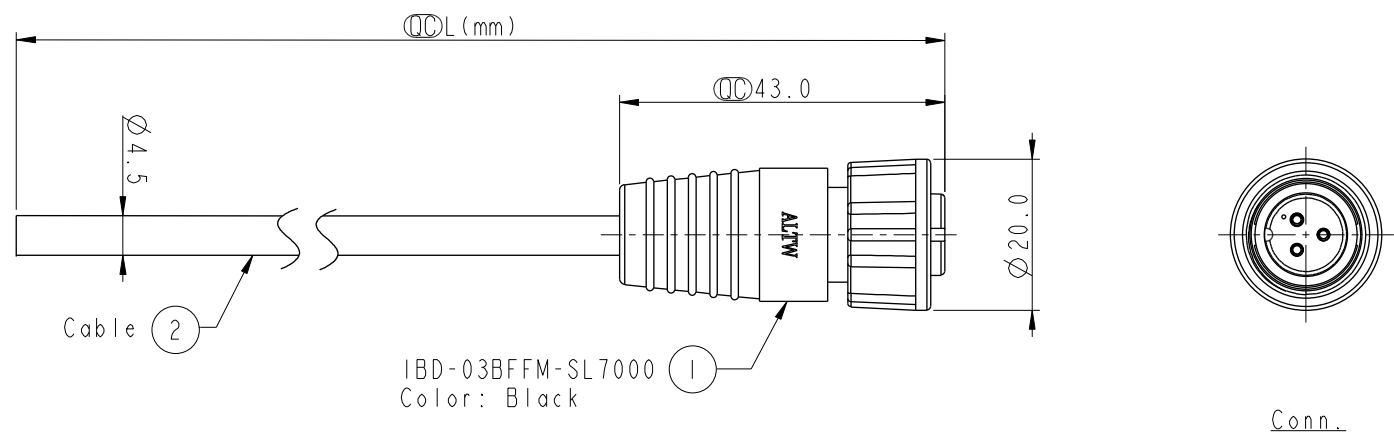
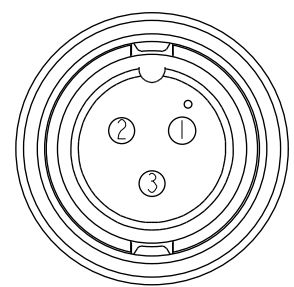
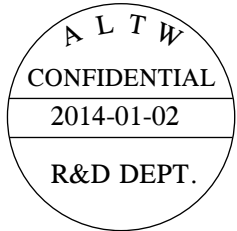


|      |         |      |      |             |
|------|---------|------|------|-------------|
| REV. | ECN NO. | DATE | SIGN | DESCRIPTION |
|      |         |      |      |             |



IBD-03BFFM-SL7000  
Color: Black



Pin Assignments  
Front View

|         |            |   |
|---------|------------|---|
| 3       | Black      | 黑 |
| 2       | Blue       | 藍 |
| 1       | Brown      | 棕 |
| Conn.   | Wire Color |   |
| Pin Out |            |   |

IBD-03BFFM-SL7A~~XX~~

- XX : 01~99Meters
- 01 : 01Meter
- 02 : 02Meters
- ...
- 99 : 99Meters

Cable Length(L): 01~99Meters

- Note:
- \*  $\text{⌀}$  Important Dimension To Check
  - \* Waterproof Rate: IP67
  - \* Housing: Nylon+GF, Black
  - \* Female Pin: Copper Alloy, Gold Plated
  - \* Screw Nut: Nylon+GF, Black
  - \* O-Ring: Silicon, Gray
  - \* Cable: UL2464 24AWG\*3C+D+AL/My  
PVC Jacket UV Resistant, OD=4.5, Black
  - \* Cable Length Tolerance: 01M: ±40mm  
02M~05M: ±60mm  
06M~10M: ±100mm  
11M~30M: ±200mm  
31M~99M: ±500mm

|           |          |
|-----------|----------|
| UNIT:mm   |          |
| TOLERANCE | ± 0.5 mm |

|  |                |                              |  |
|--|----------------|------------------------------|--|
| TITLE<br>STANDARD CNC PIN<br>CABLE SCREW 3PIN F CONN F PIN |                |                              |  |
| SCALE<br>1:1   | SIZE<br>A4     | SHEET<br>1 OF 1              |  |
| REV.<br>A  | WC-REV.<br>A.1 | $\text{⌀}$ : Inspection item |  |

**Amphenol LTW**  
安費諾亮泰企業股份有限公司

|   |                       |                    |
|---|-----------------------|--------------------|
| ITEM NO                                 | DRAWN BY<br>Ruru      | DATE<br>2014-01-02 |
| DWG NO<br>IBD-03BFFM-SL7A <del>XX</del> | CHECKED BY<br>Tony    | DATE<br>2014-01-02 |
| CUSTOMER<br>ALTW                        | APPROVED BY<br>Victor | DATE<br>2014-01-02 |

THIS DOCUMENT IS SUBJECT TO CHANGE WITHOUT NOTICE. IT IS CONFIDENTIAL AND A PROPERTY OF Amphenol LTW. DISCLOSURE TO THIRD PARTY HAS TO BE AUTHORIZED BY Amphenol LTW.