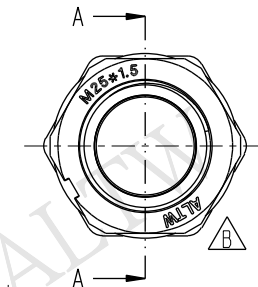
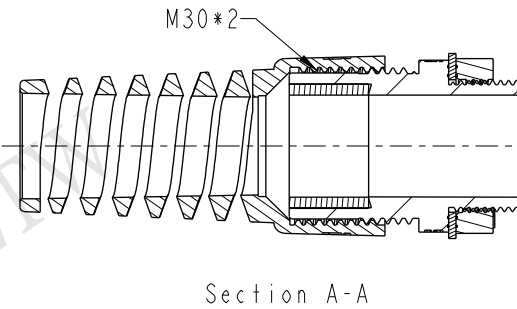
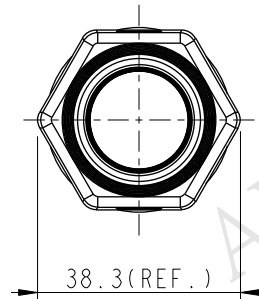
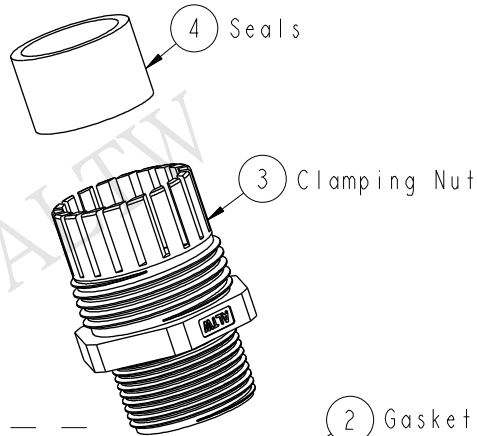
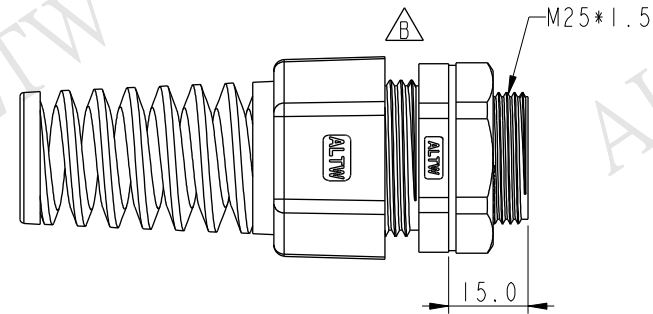
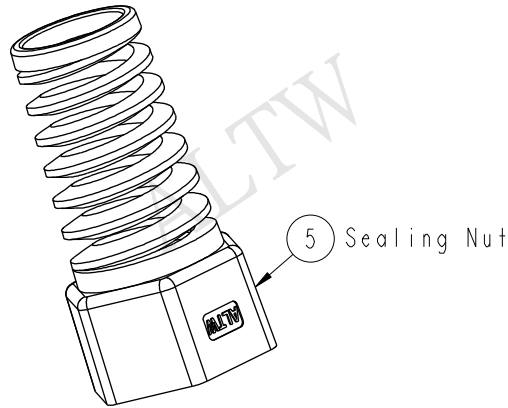
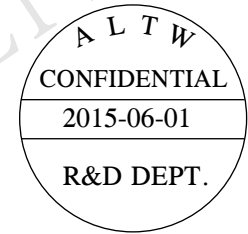
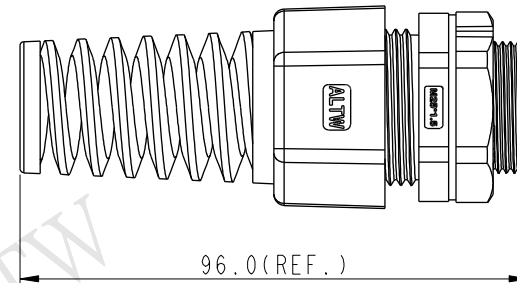
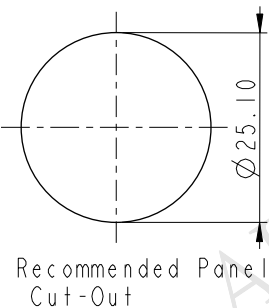


REV.	ECN NO.	DATE	SIGN	DESCRIPTION
B	LEN1570055	2015/06/01	Ruru	Change Logo



Note:

- * Waterproof Rate: IP68
- * Screw Nut: Nylon, Gray
- * Clamp Ring: Nylon, Gray
- * Sealing Nut: Nylon, Gray
- * Gasket: EPDM, Black
- * Seals: EPDM, Black
- * Panel Thickness: 6.2mm max.
- * Cable Range: $\varnothing 18\text{mm} \sim \varnothing 13\text{mm}$
- * Spanner Size:
 - ① Screw Nut: 33mm
 - ③ Body: 32.5mm
 - ⑤ Sealing Nut: 34mm



UNIT: mm		TITLE M25 Straight with SR			ITEM NO CSG-25M006	DRAWN BY Ruru	DATE 2015-06-01
		TOLERANCE .X ±0.25 .XX ±0.1 .XXX ±0.05 ANGLES ±1°	SCALE 3:5	SIZE A4	SHEET 1 OF 1	DWG NO CSG-25M006	CHECKED BY Rita
		REV. B	WC-REV. A.1	QC: Inspection item 	CUSTOMER ALTW	APPROVED BY Lion	DATE 2015-06-01

Amphenol LTW
安費諾亮泰企業股份有限公司

THIS DOCUMENT IS SUBJECT TO CHANGE WITHOUT NOTICE. IT IS CONFIDENTIAL AND A PROPERTY OF Amphenol LTW. DISCLOSURE TO THIRD PARTY HAS TO BE AUTHORIZED BY Amphenol LTW.