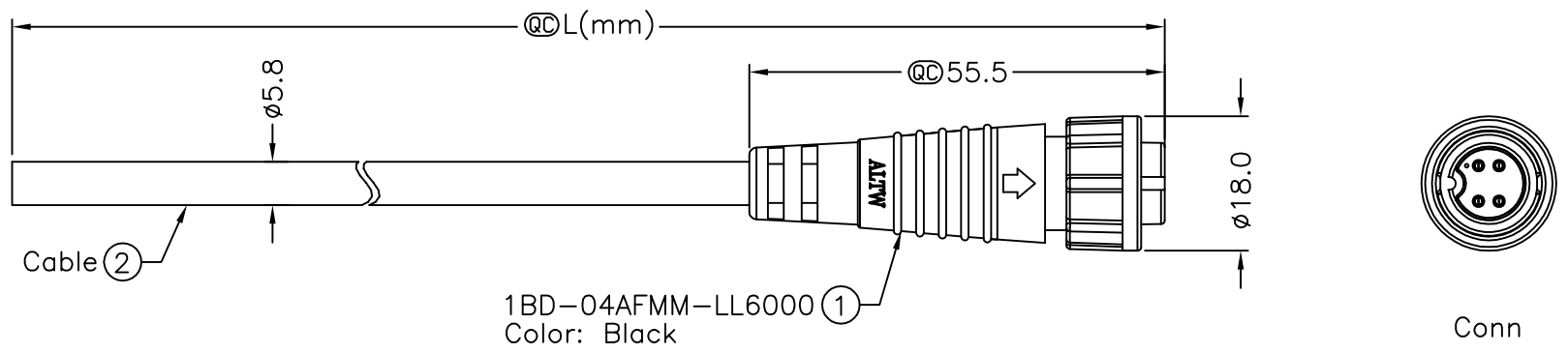


5	6	7	8
REV.	ECN NO.	DATE	SIGN

THIS DOCUMENT IS SUBJECT TO CHANGE WITHOUT NOTICE. IT IS CONFIDENTIAL AND A PROPERTY OF Amphenol LTW. DISCLOSURE TO THIRD PARTY HAS TO BE AUTHORIZED BY Amphenol LTW.



1BD-04AFMM-LL6000 (1)
Color: Black

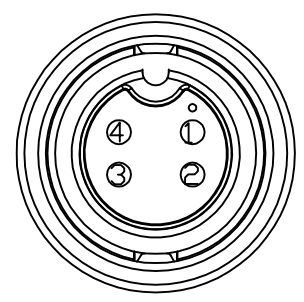


1BD-04AFMM-LL6AXX

- XX:01~99Meters
- 01:01 Meters
- 02:02 Meters
- ...
- 99:99 Meters

Cable Length(L):01~99Meters

- Note :
- * @Important Dimension To Check.
 - * Waterproof Rate: IP66
 - * Housing: Nylon+GF, Black.
 - * Male Pin: Copper Alloy, Goldn Plated.
 - * Cable: UL2464 24AWG*4C+D+AL/My PVC Jacket UV Resistant, OD=5.8, Black.
 - * Cable Length Tolerance: 01M: ±40mm
02M~05M: ±60mm
06M~10M: ±100mm
11M~30M: ±200mm
31M~99M: ±500mm



Pin Assignments Front View

4	Yellow	黃
3	Red	紅
2	Green	綠
1	White	白
Conn.1	Wire Color	

Pin Out

UNIT:mm		TITLE	STANDARD CNC PIN	Amphenol LTW	ITEM NO	DRAWN BY	Ruru	DATE	2013/11/21
TOLERANCE	±0.5 mm	SCALE	Free	安費諾亮泰企業股份有限公司	DWG NO	CHECKED BY	Tony	DATE	2013/11/21
		SHEET	1 OF 1		CUSTOMER	APPROVED BY	Victor	DATE	2013/11/21
		REV.	A						
		SIZE	A4						
			@ :Inspection Item						