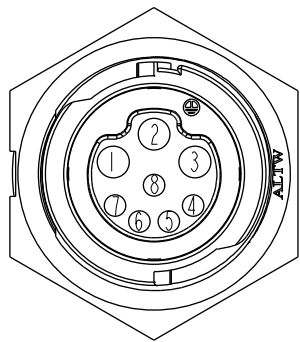
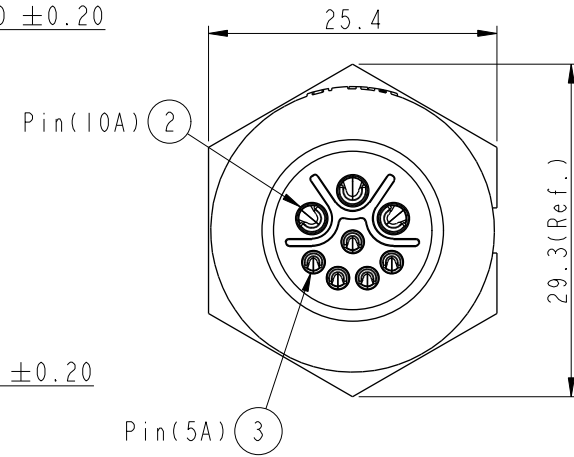
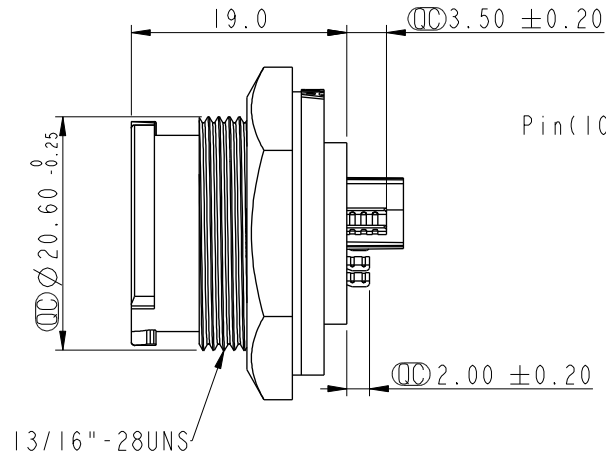
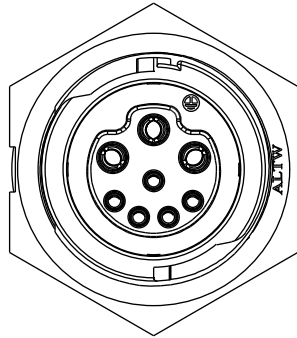
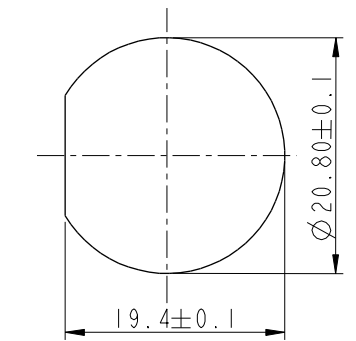


ALTW
 CONFIDENTIAL
 2019-03-20
 R&D DEPT.

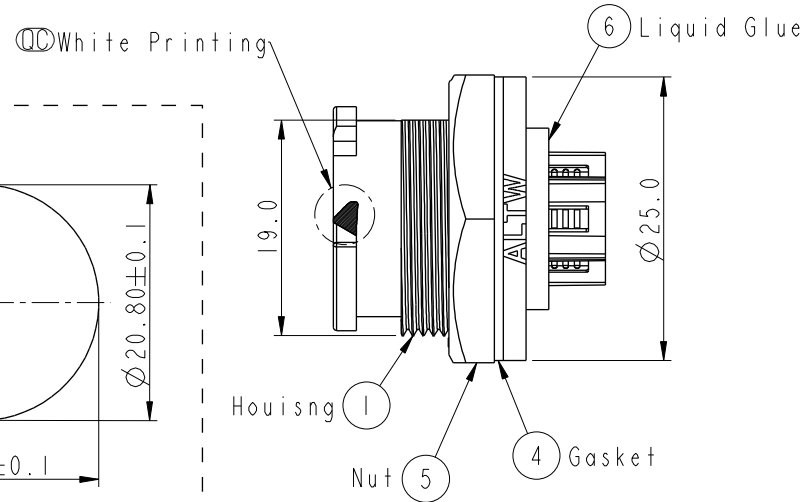
REV.	ECN NO.	DATE	SIGN	DESCRIPTION
A	Initial Release	2016/05/09	Spring	Change Rev.01 To Rev.A
B	CI90470	2019/03/20	Vicky	Change Note



Pin Assignments
 Front View



Recommender Panel Cut-Out



- Note:**
- * \varnothing Important Dimension To Check.
 - * Waterproof Rate: IP68, Unmated
 In 1 meter water within 24 hours
 - * Housing: Thermoplastic, Black.
 - * Pin: Copper Alloy, Gold Plated.
 - * Nut: Thermoplastic, Black.
 - * Gasket: Rubber, Gray.
 - * Use without waterproof cap
 panel thickness max:4.2mm
 - * Use with waterproof cap
 panel thickness max:3.0mm
 - * Gasket and Nut are packed separately
 in PE bags.

UNIT:mm		
TOLERANCE	± 0.25	

TITLE X-Lok C Size Hybrid Receptacle 8 Pin M Connector F Pin			
SCALE 3:2	SIZE A4	SHEET 1 OF 1	
REV. B	WC-REV. A.3	\varnothing : Inspection item	

Amphenol LTW
 安費諾亮泰企業股份有限公司

ITEM NO CBD-08PMFS-QC8001	DRAWN BY Vicky	DATE 2019-03-20
DWG NO CBD-08PMFS-QC8001	CHECKED BY Rita	DATE 2019-03-20
CUSTOMER ALTW	APPROVED BY Max	DATE 2019-03-20

THIS DOCUMENT IS SUBJECT TO CHANGE WITHOUT NOTICE. IT IS CONFIDENTIAL AND A PROPERTY OF Amphenol LTW. DISCLOSURE TO THIRD PARTY HAS TO BE AUTHORIZED BY Amphenol LTW.