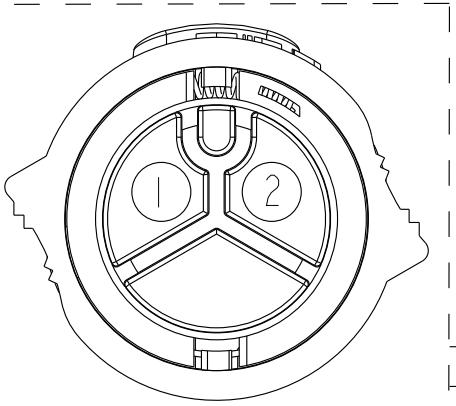
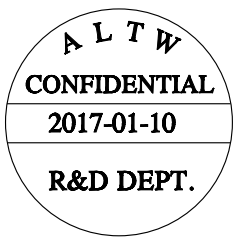
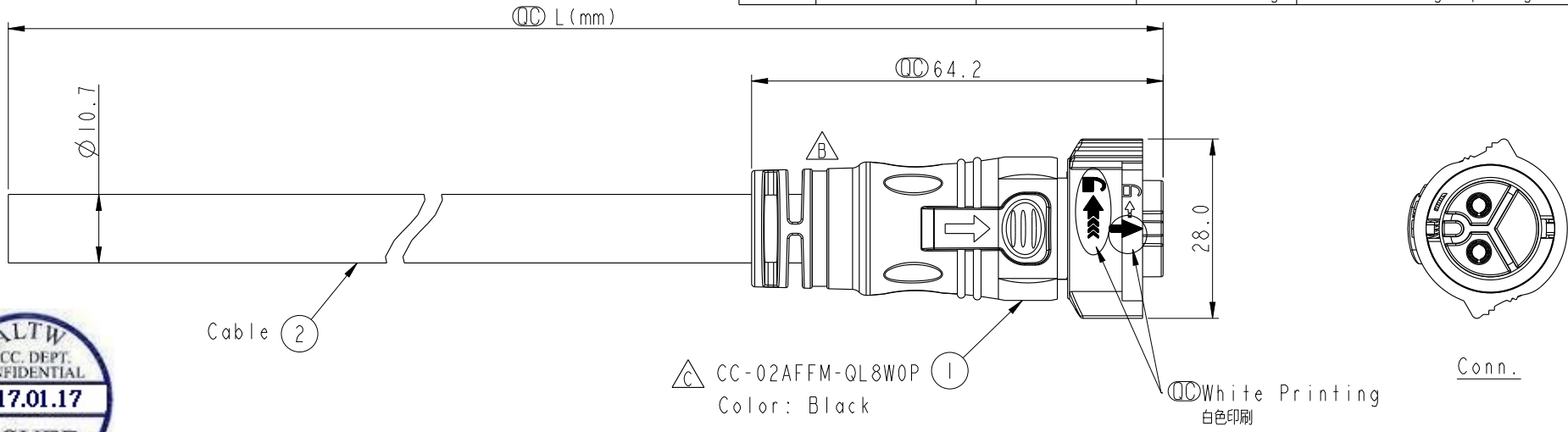


THIS DOCUMENT IS SUBJECT TO CHANGE WITHOUT NOTICE. IT IS CONFIDENTIAL AND A PROPERTY OF AMPHENOL LTW. DISCLOSURE TO THIRD PARTY HAS TO BE AUTHORIZED BY AMPHENOL LTW.

REV.	ECN NO.	DATE	SIGN	DESCRIPTION
B	LEN15C0083	2015-12-01	Spring	Update the SR and note
C	LE31670031	2016-06-15	Tom_Gu	Change Part No. of Half Finished
D	LEN1710066	2017-01-10	Frank Deng	Change pin gender



Pin Assignments
Front View

2	White	白
1	Black	黑
Conn.	Wire Color	
	Pin Out	

CC-02AFFM-QL8EXX
 △
 XX: 01~99Meters
 01: 01Meter
 02: 02Meters
 ...
 99: 99Meters

- Note:
- * (Q) Important Dimension To Check.
 - * Working Voltage Rating: 300V AC
 - * Working Current Rating: Max. 20A
 - * Waterproof Rate: IP68. (Mated)
(in 1 meter water within 24 hours)
 - * Connector: Nylon+GF, Black.
 - * Female Pin: Copper Alloy, Gold Plated.
 - * Lock Nut: Nylon+GF, Black.
 - * Cable: SJTW 12WG*2C, Black, PVC Jacket, OD=10.7mm.
 - * Cable Length Tolerance: 01M: ±40mm
02M~05M: ±60mm
06M~10M: ±100mm
11M~30M: ±200mm
31M~99M: ±500mm

UNIT:mm		
TOLERANCE	±0.5	

TITLE X Lok C-Size Cable 2 Pin 20A F Conn. F Pin △			
SCALE 1:1	SIZE A4	SHEET 1 OF 1	
REV. D	WC-REV. A.3	QC: Inspection item	

Amphenol LTW
 安費諾亮泰企業股份有限公司

ITEM NO	DRAWN BY Frank Deng	DATE 2017-01-10
DWG NO CC-02AFFM-QL8EXX	CHECKED BY Spring_Liu	DATE 2017-01-10
CUSTOMER ALTW	APPROVED BY Kevin_Hu	DATE 2017-01-10