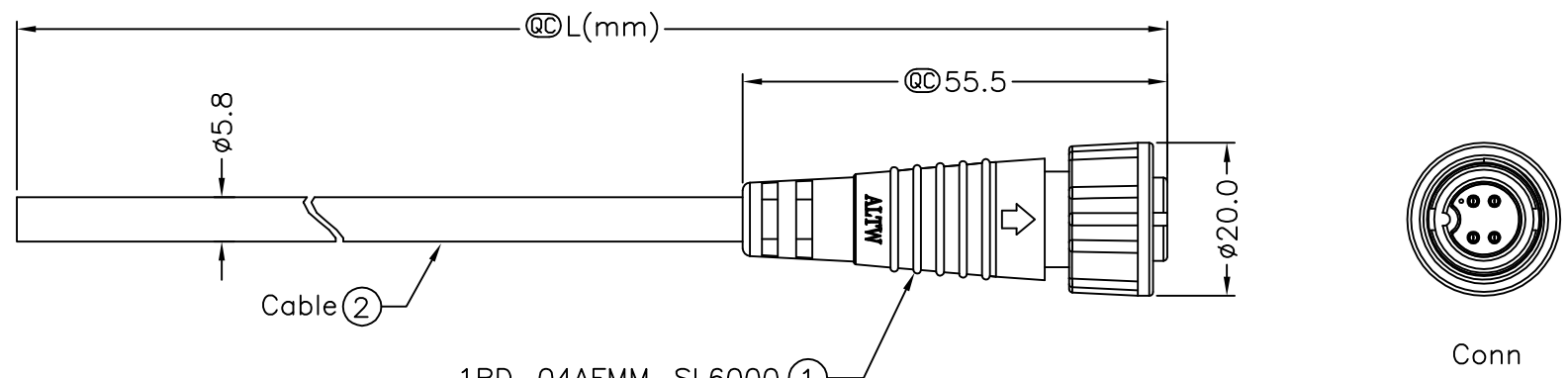


5	6	7	8
REV.	ECN NO.	DATE	SIGN
			DESCRIPTION

THIS DOCUMENT IS SUBJECT TO CHANGE WITHOUT NOTICE. IT IS CONFIDENTIAL AND A PROPERTY OF Amphenol LTW. DISCLOSURE TO THIRD PARTY HAS TO BE AUTHORIZED BY Amphenol LTW.



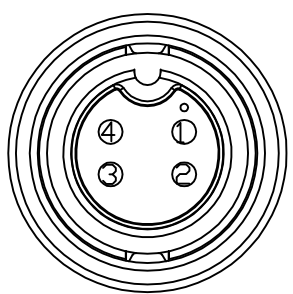
1BD-04AFMM-SL6000 (1)  
Color: Black

1BD-04AFMM-SL6AXX

- XX :01~99Meters
- 01 :01 Meters
- 02 :02 Meters
- ...
- 99 :99 Meters

Cable Length(L):01~99Meters

- Note :
- \* @C Important Dimension To Check.
  - \* Waterproof Rate: IP66
  - \* Housing: Nylon+GF, Black.
  - \* Male Pin: Copper Alloy, Gold Plated.
  - \* Cable: UL2464 24AWG\*4C+D+AL/My PVC Jacket UV Resistant, OD=5.8, Black.
  - \* Cable Length Tolerance: 01M: ±40mm  
02M~05M: ±60mm  
06M~10M: ±100mm  
11M~30M: ±200mm  
31M~99M: ±500mm



Pin Assignments Front View

4	Yellow	黃
3	Red	紅
2	Green	綠
1	White	白
Conn.1	Wire Color	

Pin Out

UNIT:mm	
TOLERANCE	±0.5 mm

TITLE		STANDARD CNC PIN CABLE SCREW 4PIN F CONN M PIN	
SCALE	Free	SHEET	1 OF 1
REV.	A	SIZE	A4
QC :Inspection Item			

**Amphenol LTW**  
安費諾亮泰企業股份有限公司

ITEM NO	
DWG NO	1BD-04AFMM-SL6AXX
CUSTOMER	ALTW

DRAWN BY	Ruru
CHECKED BY	Tony
APPROVED BY	Victor

DATE	2013/11/21
DATE	2013/11/21
DATE	2013/11/21

F  
E  
D  
C  
B  
A

1 2 3 4 5 6 7 8