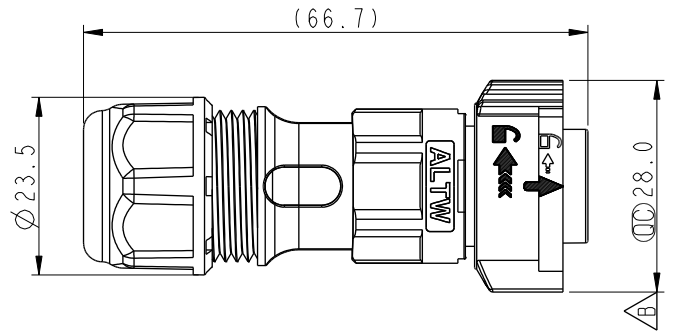
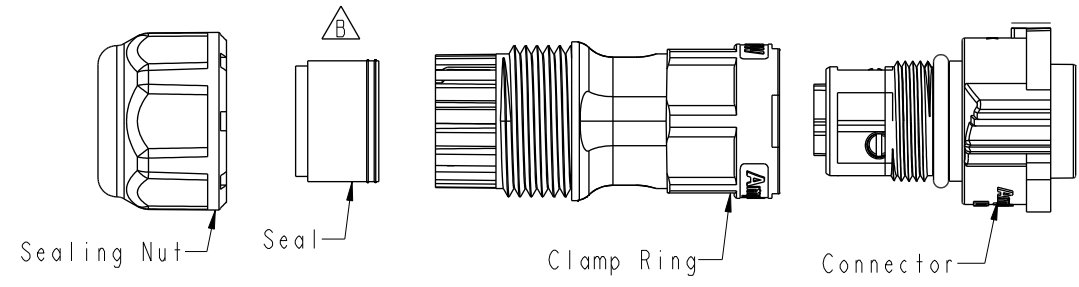


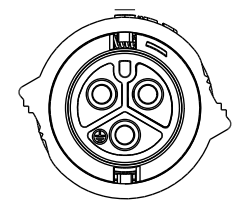
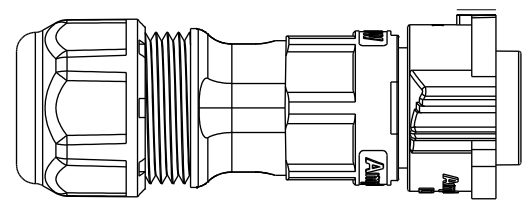
THIS DOCUMENT IS SUBJECT TO CHANGE WITHOUT NOTICE. IT IS CONFIDENTIAL AND A PROPERTY OF Amphenol LTW. DISCLOSURE TO THIRD PARTY HAS TO BE AUTHORIZED BY Amphenol LTW.

REV.	ECN NO.	DATE	SIGN	DESCRIPTION
C	C200639	2020/05/11	Victor Hung	$\triangle C$ X2
D	C220464	2022/04/07	Ruru	$\triangle D$ X4
E	C230087	2023/01/31	Vicky	$\triangle E$ X1

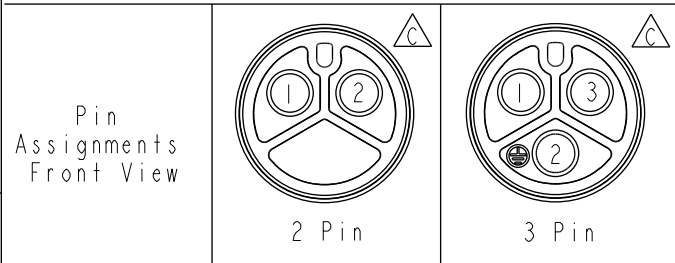


$\triangle D$ CC-XXBFMB-QL8XPP
 XX: No. Of Pin

- S: With Red Color Seal 1, Cable OD 6.0~8.0mm.
- M: With Yellow Color Seal 2, Cable OD 8.0~10.0mm.
- L: With Blue Color Seal 3, Cable OD 10.0~12.0mm.
- A: With Seal 1 & Seal 2 & Seal 3.



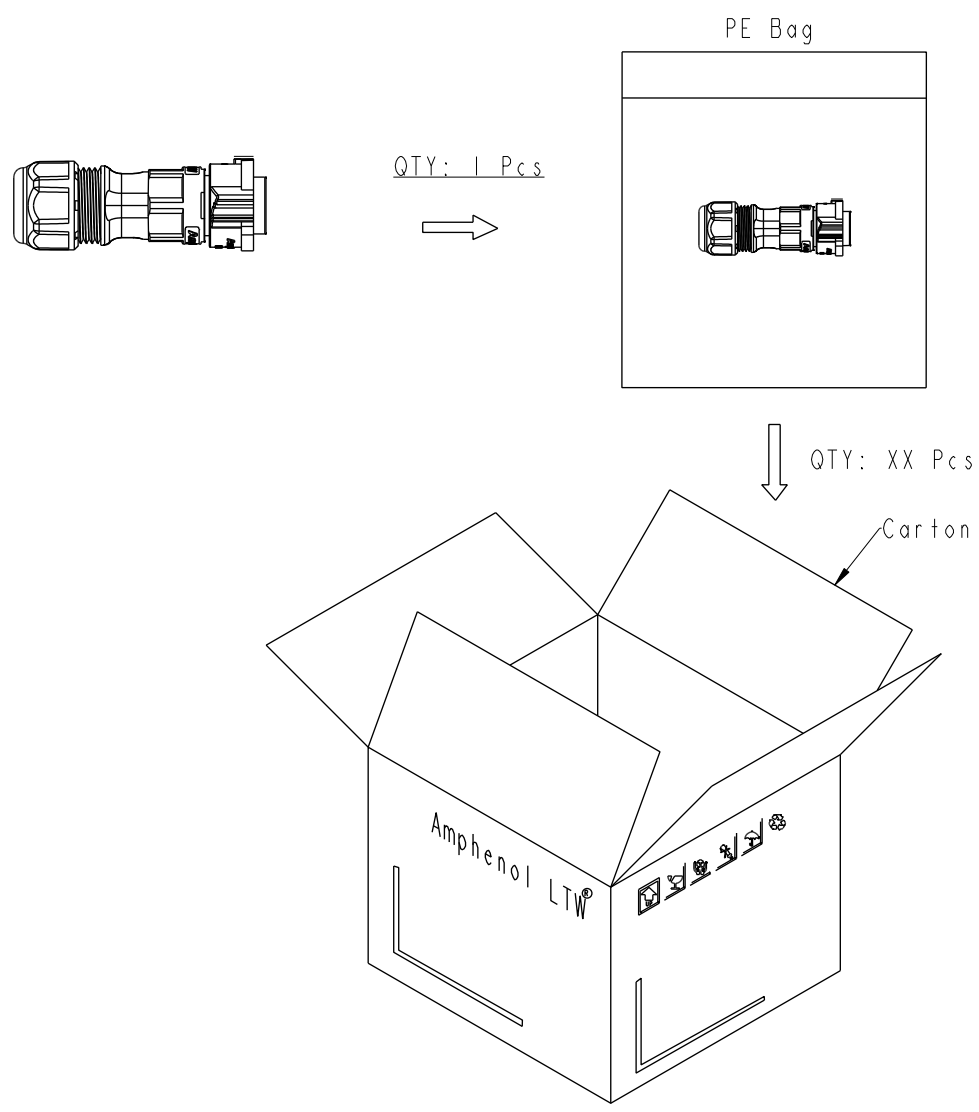
- Note: $\triangle B$ $\triangle D$
- * RoHS Compliant
 - * \varnothing Important dimension
 - $\triangle A$ * Waterproof rate: IP68, mated 1m/24h
 - * Connector
 - Housing: Thermoplastic, Black
 - Pin: Copper Alloy, Silver Plated
 - Nut: Thermoplastic, Black
 - O-Ring-1: Rubber, Gray
 - O-Ring-2: Rubber, Dark Gray
 - * Clamp Ring: Thermoplastic, Black
 - * Sealing Nut: Thermoplastic, Black
 - * Seals: Rubber



UNIT:mm	\varnothing	∇	TITLE	$\triangle B$	$\triangle D$
TOLERANCE	± 0.5 mm		XLOK, C-20A, CABLE W/O SR F, M, FI SCREW IN, PUSH LOCK		
SCALE	8:5	SIZE	A4	SHEET	1 OF 2
REV.	E	WC-REV.	A.3	\varnothing : Inspection item	

Amphenol LTW
 安費諾亮泰企業股份有限公司

ITEM NO	DRWN BY	DATE
	Victor Hung	2020/05/11
DWG NO	CHECKED BY	DATE
CC-XXBFMB-QL8XPP	Aric Ko	2020/05/11
CUSTOMER	APPROVED BY	DATE
ALTW	Max Yang	2020/05/11



Note:
 * One Set Unassembled In One PE Bag.
 (每一組未組裝，放置於一個PE袋，並封口，如圖示)
 * Label is Attached To PE Bag Front.
 (標籤貼在PE袋正面)

UNIT:mm	TOLERANCE		TITLE XLOK, C-20A, CABLE W/O SR F, M, FI SCREW IN, PUSH LOCK		
	±0.5 mm				SCALE 8:5
	SIZE A4	SHEET 2 OF 2			REV. E
	WC-REV. A.3	QC: Inspection item			

Amphenol LTW
 安費諾亮泰企業股份有限公司

ITEM NO	DRAWN BY Victor Hung	DATE 2020/05/11
DWG NO CC-XXBFMB-QL8XPP	CHECKED BY Aric Ko	DATE 2020/05/11
CUSTOMER ALTW	APPROVED BY Max Yang	DATE 2020/05/11