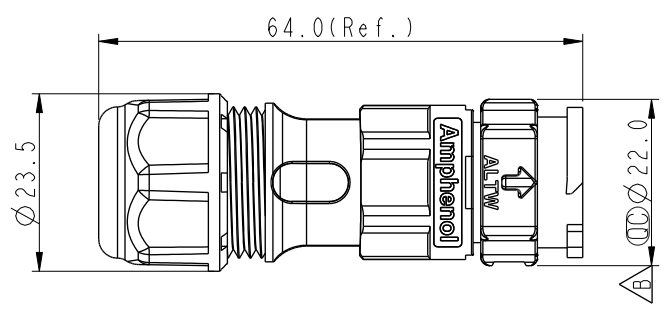
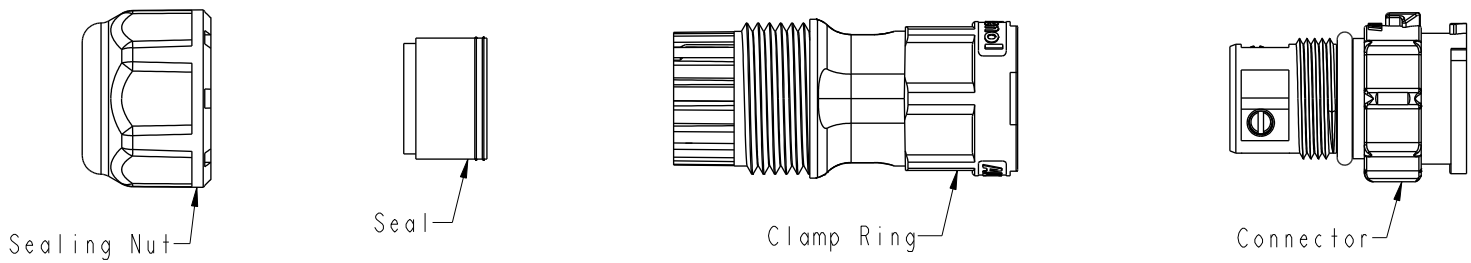


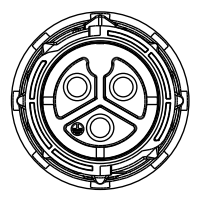
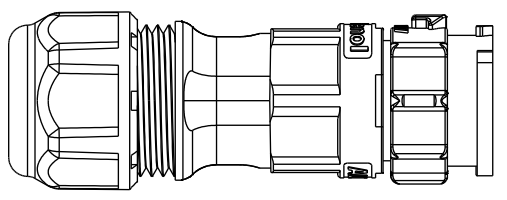
THIS DOCUMENT IS SUBJECT TO CHANGE WITHOUT NOTICE. IT IS CONFIDENTIAL AND A PROPERTY OF Amphenol LTW. DISCLOSURE TO THIRD PARTY HAS TO BE AUTHORIZED BY Amphenol LTW.

REV.	ECN NO.	DATE	SIGN	DESCRIPTION
C	C200598	2020/05/08	Victor Hung	$\triangle C$ X2
D	C220464	2022/04/07	Ruru	$\triangle D$ X4
E	C230087	2023/01/31	Vicky	$\triangle E$ X1

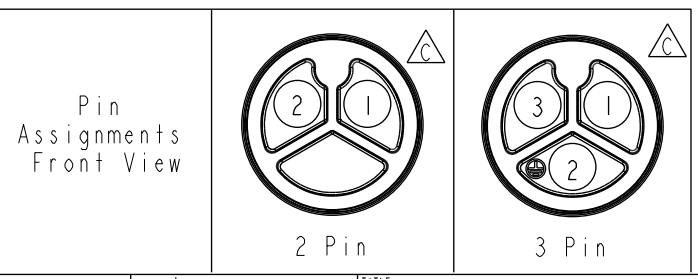


$\triangle D$  CC-XXBMFB-QL8XPP  
 XX: No. Of Pin

S: With Red Color Seal 1, Cable OD 6.0~8.0mm.  
 M: With Yellow Color Seal 2, Cable OD 8.0~10.0mm.  
 L: With Blue Color Seal 3, Cable OD 10.0~12.0mm.  
 A: With Seal 1 & Seal 2 & Seal 3.



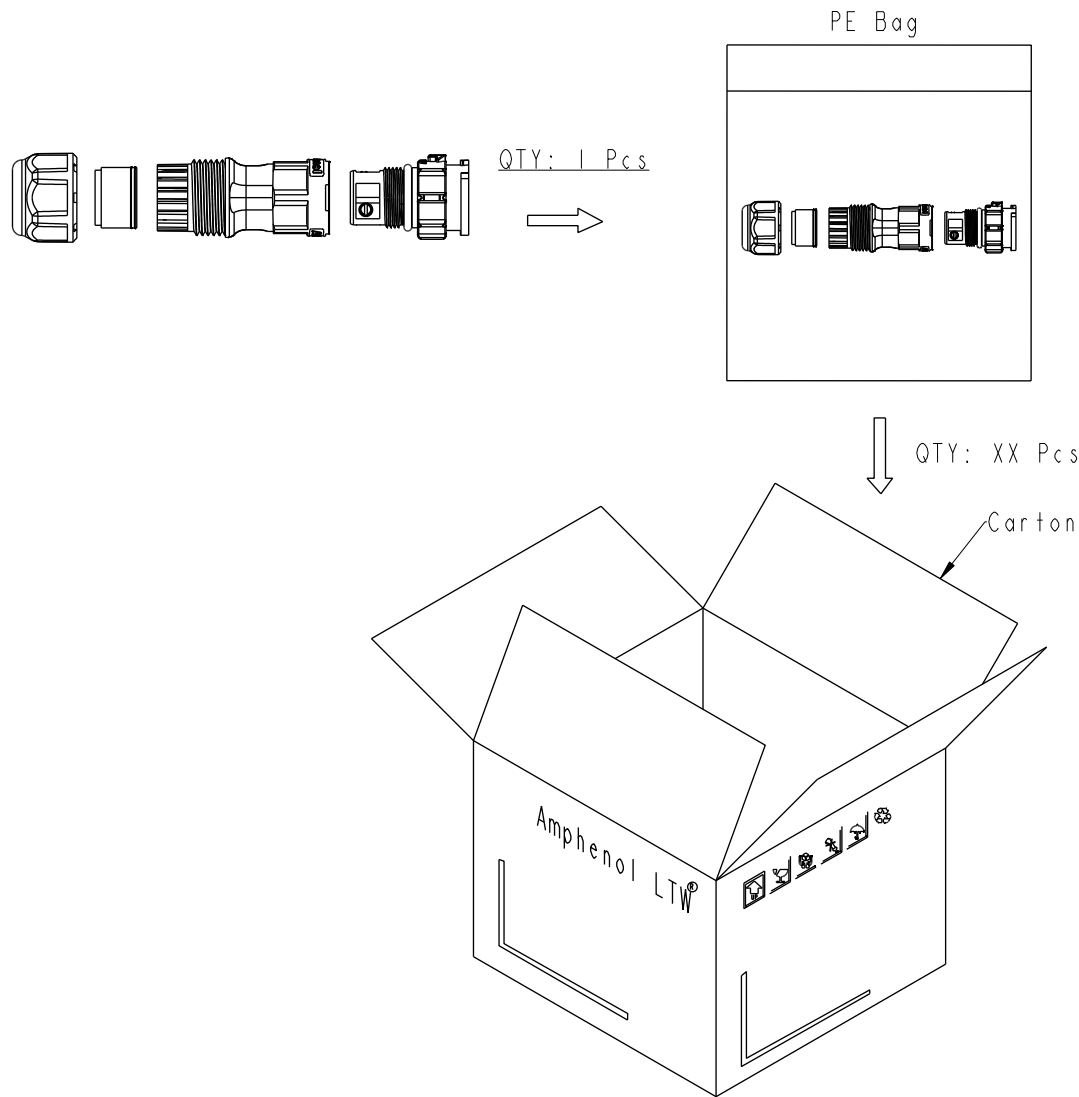
Note:  $\triangle B$   $\triangle D$   
 \* RoHS Compliant  
 \*  $\text{CC}$  Important dimension  
 $\triangle E$  \* Waterproof rate: IP68, mated 1m/24h  
 \* Connector  
 Housing: Thermoplastic, Black  
 Pin: Copper Alloy, Silver Plated  
 O-Ring: Rubber, Dark Gray  
 \* Clamp Ring: Thermoplastic, Black  
 \* Sealing Nut: Thermoplastic, Black  
 \* Seals: Rubber



UNIT:mm		TITLE	XLOK, C-20A, CABLE W/O SR M, F, FI SCREW IN, PUSH LOCK	
TOLERANCE	$\pm 0.5$ mm	SCALE	8:5	SIZE A4
		REV.	E	WC-REV. A.3
				SHEET 1 OF 2
				$\text{CC}$ : Inspection item

**Amphenol LTW**  
 安費諾亮泰企業股份有限公司

ITEM NO	DRAWN BY	DATE
	Victor Hung	2020/05/08
DWG NO	CHECKED BY	DATE
CC-XXBMFB-QL8XPP	Aric Ko	2020/05/08
CUSTOMER	APPROVED BY	DATE
ALTW	Max Yang	2020/05/08



Note:  
 \* One Set Unassembled In One PE Bag.  
 (每一組未組裝，放置於一個PE袋，並封口，如圖示)  
 \* Label is Attached To PE Bag Front.  
 (標籤貼在PE袋正面)

UNIT:mm	
TOLERANCE	±0.5 mm

TITLE XLOK, C-20A, CABLE W/O SR M, F, FI SCREW IN, PUSH LOCK			
SCALE 8:5	SIZE A4	SHEET 2 OF 2	
REV. E	WC-REV. A.3	☉: Inspection item	

**Amphenol LTW**  
 安費諾亮泰企業股份有限公司

ITEM NO	DRAWN BY Mafei	DATE 2018-03-14
DWG NO CC-XXBMFB-QL8XPP	CHECKED BY Jerry	DATE 2018-03-14
CUSTOMER ALTW	APPROVED BY Max	DATE 2018-03-14