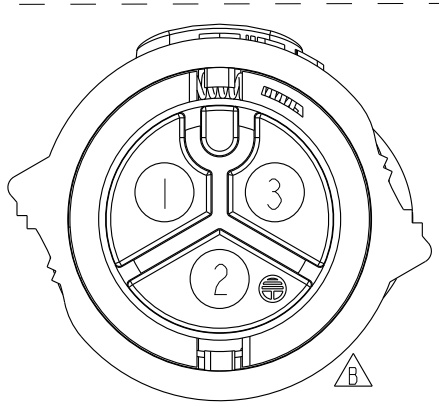
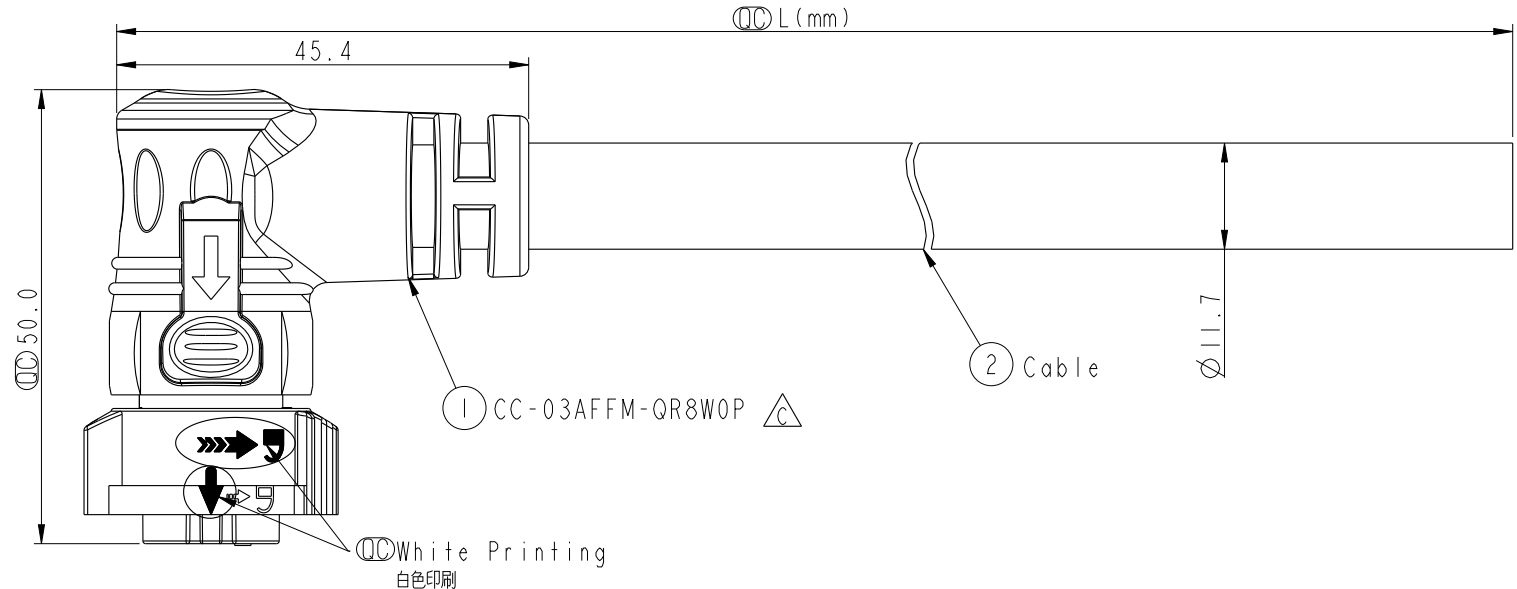
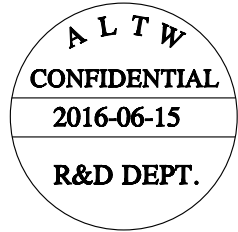
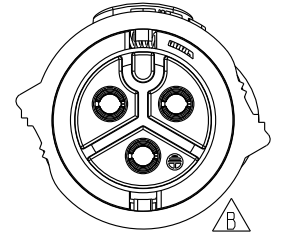


THIS DOCUMENT IS SUBJECT TO CHANGE WITHOUT NOTICE. IT IS CONFIDENTIAL AND A PROPERTY OF AMPHENOL LTW. DISCLOSURE TO THIRD PARTY HAS TO BE AUTHORIZED BY AMPHENOL LTW.

REV.	ECN NO.	DATE	SIGN	DESCRIPTION
B	LEN1650704	2016-04-16	Spring	Add ground pin
C	LE31670038	2016-06-15	Tom_Gu	Change Part No. of Half Finished



Pin Assignments
Front View



Conn.

3	White	白
2	Green	綠
1	Black	黑
Conn.	Wire Color	
	Pin Out	

CC-03AFFM-QR8EXX

XX: 01~99Meters
 01: 01Meter
 02: 02Meters
 ...
 99: 99Meters

- Note:
- * \varnothing Important Dimension To Check.
 - * Working Voltage Rating: 300V AC
 - * Working Current Rating: Max. 20A
 - * Waterproof Rate: IP68(Mated).
in 1 meter water within 24 hours
 - * Connector: Nylon+GF, Black.
 - * Female Pin: Copper Alloy, Glod Plated.
 - * Lock Nut: Nylon+GF, Black.
 - * Cable: SJTW 12WG*3C, Black,
PVC Jacket, OD=11.7mm.
 - * Cable Length Tolerance: 01M:±40mm
02M~05M:±60mm
06M~10M:±100mm
11M~30M:±200mm
31M~99M:±500mm

UNIT:mm		
TOLERANCE	±0.5	

TITLE X Lok C-Size 90° Cable 3 Pin 20A F Conn. F Pin			
SCALE 6:5	SIZE A4	SHEET 1 OF 1	
REV. C	WC-REV. A.4	\varnothing : Inspection item	

Amphenol LTW
 安費諾亮泰企業股份有限公司

ITEM NO	DRAWN BY Tom_Gu	DATE 2016-06-15
DWG NO CC-03AFFM-QR8EXX	CHECKED BY Spring_Liu	DATE 2016-06-15
CUSTOMER ALTW	APPROVED BY Kevin_Hu	DATE 2016-06-15