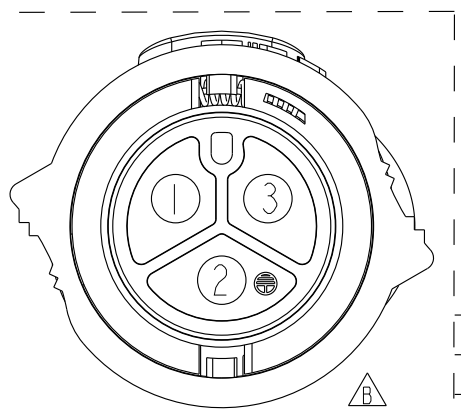
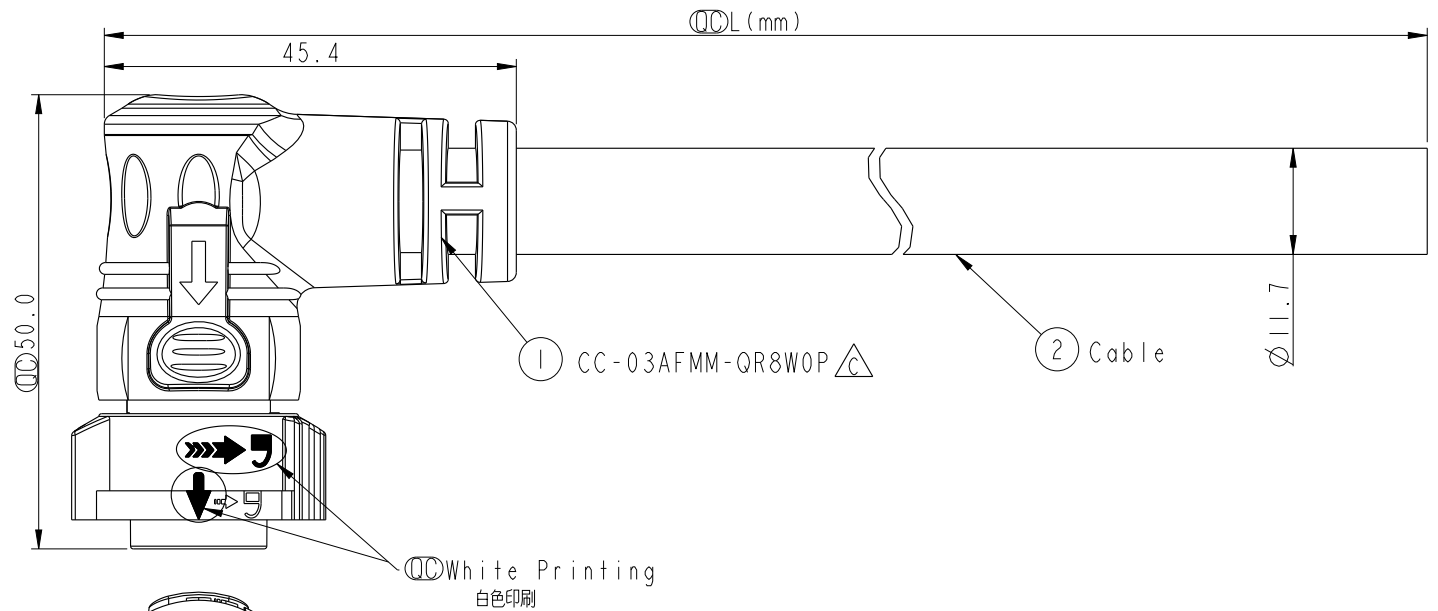
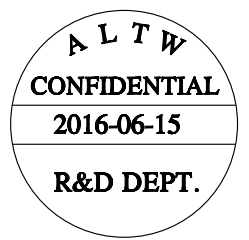
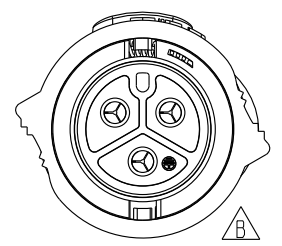


THIS DOCUMENT IS SUBJECT TO CHANGE WITHOUT NOTICE. IT IS CONFIDENTIAL AND A PROPERTY OF AMPHENOL LTW. DISCLOSURE TO THIRD PARTY HAS TO BE AUTHORIZED BY AMPHENOL LTW.

REV.	ECN NO.	DATE	SIGN	DESCRIPTION
B	LENI650710	2016-04-16	Spring	Add ground pin
C	LE31670040	2016-06-15	Tom_Gu	Change Part No. of Half Finished



Pin Assignments
Front View



Conn.

Conn.	Wire Color	Pin Out
3	White 白	
2	Green 綠	
1	Black 黑	

CC-03AFMM-QR8EXX

XX: 01~99Meters
 01: 01Meter
 02: 02Meters
 ...
 99: 99Meters

- Note:
- * \varnothing Important Dimension To Check.
 - * Working Voltage Rating: 300V AC
 - * Working Current Rating: Max. 20A
 - * Waterproof Rate: IP68.(Mated) in 1 meter water within 24 hours
 - * Connector: Nylon+GF, Black.
 - * Pin: Copper Alloy, Glod & Ni Plated.
 - * Lock Nut: Nylon+GF, Black.
 - * Cable: SJTW 12WG*3C, Black, PVC Jacket, OD=11.7mm.
 - * Cable Length Tolerance: 01M:±40mm
 02M~05M:±60mm
 06M~10M:±100mm
 11M~30M:±200mm
 31M~99M:±500mm

UNIT:mm		
TOLERANCE	±0.5	

TITLE X Lok C-Size 90° Cable 3 Pin 20A F Conn. M Pin			
SCALE 6:5	SIZE A4	SHEET 1 OF 1	
REV. C	WC-REV. A.4	\varnothing : Inspection item	

Amphenol LTW
 安費諾亮泰企業股份有限公司

ITEM NO	DRAWN BY Tom_Gu	DATE 2016-06-15
DWG NO CC-03AFMM-QR8EXX	CHECKED BY Spring_Liu	DATE 2016-06-15
CUSTOMER ALTW	APPROVED BY Kevin_Hu	DATE 2016-06-15