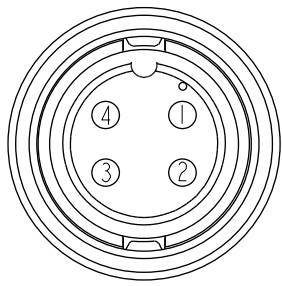
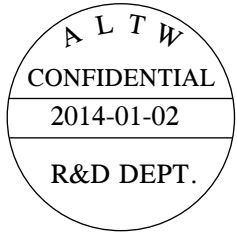
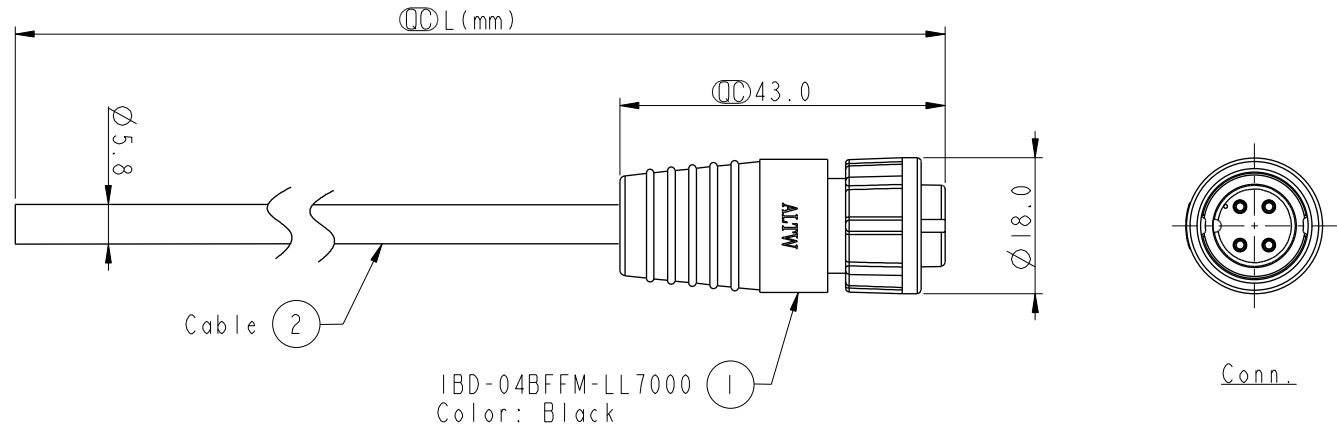


REV.	ECN NO.	DATE	SIGN	DESCRIPTION



Pin Assignments
Front View

4	Yellow	黃
3	Red	紅
2	Green	綠
1	White	白
Conn.	Wire Color	
Pin Out		

IBD-04BFFM-LL7AXX

- XX :01~99Meters
- 01 :01Meter
- 02 :02Meters
- ...
- 99 :99Meters

Cable Length(L):01~99Meters

- Note:
- * (⌀) Important Dimension To Check
 - * Waterproof Rate: IP67
 - * Housing: Nylon+GF, Black
 - * Female Pin: Copper Alloy, Gold Plated
 - * Lock Nut: Nylon+GF, Black
 - * O-Ring: Silicon, Gray
 - * Cable: UL2464 24AWG*4C+D+AL/My
PVC Jacket UV Resistant, OD=5.8, Black
 - * Cable Length Tolerance: 01M: ±40mm
02M~05M: ±60mm
06M~10M: ±100mm
11M~30M: ±200mm
31M~99M: ±500mm

UNIT:mm	
TOLERANCE	± 0.5 mm

TITLE STANDARD CNC PIN CABLE LOCK 4PIN F CONN F PIN			
SCALE 1:1	SIZE A4	SHEET 1 OF 1	
REV. A	WC-REV. A.1	⌀: Inspection item	

Amphenol LTW
安費諾亮泰企業股份有限公司

ITEM NO	DRAWN BY Ruru	DATE 2014-01-02
DWG NO IBD-04BFFM-LL7AXX	CHECKED BY Tony	DATE 2014-01-02
CUSTOMER ALTW	APPROVED BY Victor	DATE 2014-01-02

THIS DOCUMENT IS SUBJECT TO CHANGE WITHOUT NOTICE. IT IS CONFIDENTIAL AND A PROPERTY OF Amphenol LTW. DISCLOSURE TO THIRD PARTY HAS TO BE AUTHORIZED BY Amphenol LTW.