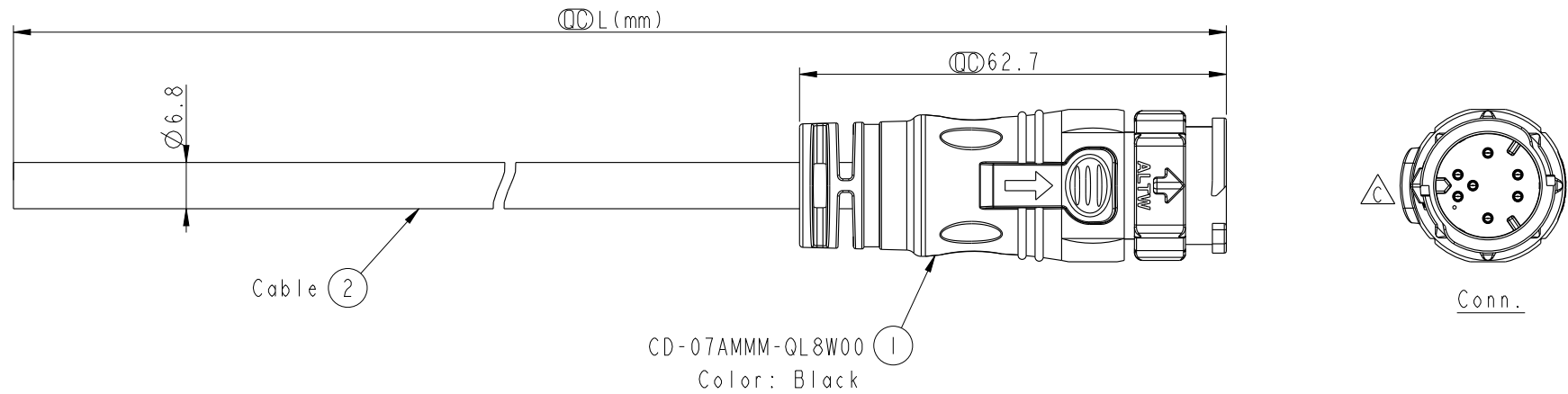
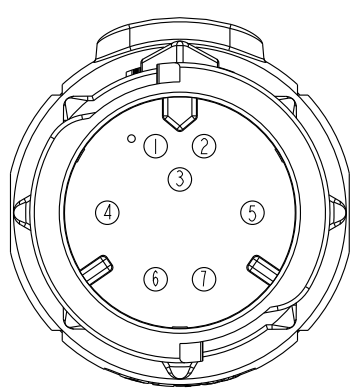


REV.	ECN NO.	DATE	SIGN	DESCRIPTION
B	LEN15C0086	2015-12-01	Spring	Update Pin Out
C	CI92040	2019-11-24	Peng	△ C XI



CD-07AMMM-QL8W00  
Color: Black



Pin Assignments  
Front View

7	Orange	橙
6	Blue	藍
5	Green	綠
4	Yellow	黃
3	Black	黑
2	Red	紅
1	Brown	棕
Conn.	Wire Color	

Pin Out

CD-07AMMM-QL8DXX

XX :01~99Meters  
 01 :01Meter  
 02 :02Meters  
 :  
 :  
 99 :99Meters

- Note:
- \* ∅ Important Dimension To Check.
  - \* Working Voltage Rating: AC 300 V
  - \* Working Current Rating: 5A
  - \* Waterproof Rate: IP68(Mated)  
(in 1 meter water within 24 hours)
  - \* Housing: Nylon+GF, Black.
  - \* Male Pin :Copper Alloy, Gold Plated
  - \* Cable: UL21388 20AWG\*7C+AL/PET Tape  
Black, PVC Jacket UV Resistant, OD=6.8
  - \* Cable Length Tolerance:01M:±40mm  
02M~05M:±60mm  
06M~10M:±100mm  
11M~30M:±200mm  
31M~99M:±500mm

UNIT:mm	
TOLERANCE	±0.5

TITLE X Lok C-Size Cable 7 Pin 5A M Conn. M Pin			
SCALE	SIZE	SHEET	OF
1:1	A4	1	1
REV.	WC-REV.	∅∅: Inspection item	
C	A.3		

**Amphenol LTW**  
安費諾亮泰企業股份有限公司

ITEM NO	DRAWN BY	DATE
	Spring	2015-12-01
DWG NO	CHECKED BY	DATE
CD-07AMMM-QL8DXX	Fisher	2015-12-01
CUSTOMER	APPROVED BY	DATE
ALTW	Kevin	2015-12-01

THIS DOCUMENT IS SUBJECT TO CHANGE WITHOUT NOTICE. IT IS CONFIDENTIAL AND A PROPERTY OF Amphenol LTW. DISCLOSURE TO THIRD PARTY HAS TO BE AUTHORIZED BY Amphenol LTW.