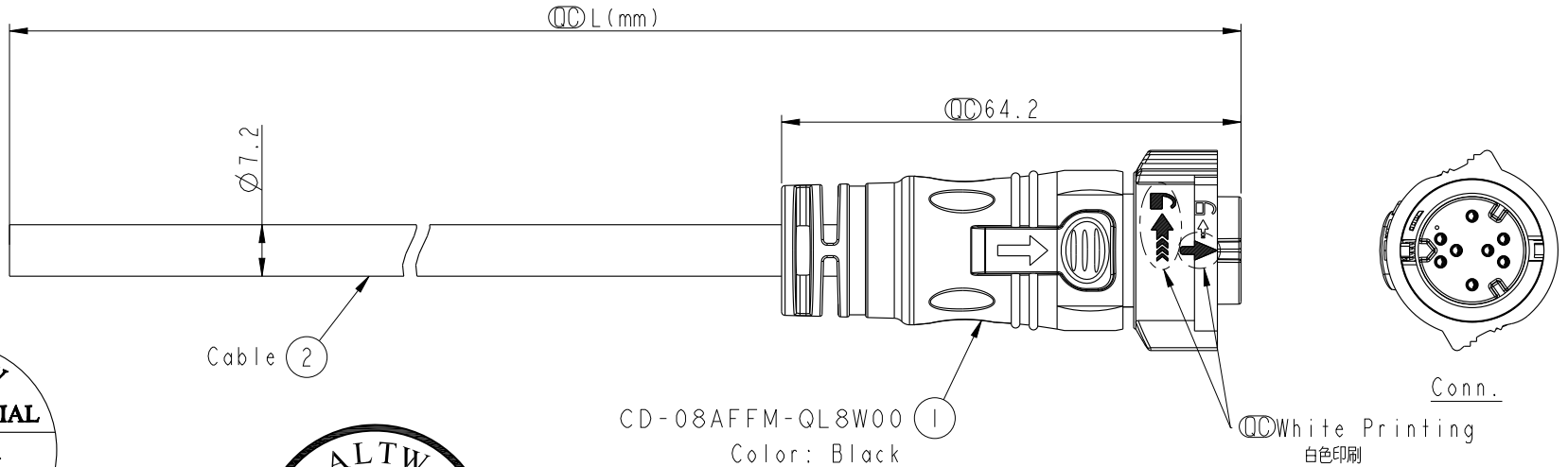


THIS DOCUMENT IS SUBJECT TO CHANGE WITHOUT NOTICE. IT IS CONFIDENTIAL AND A PROPERTY OF Amphenol LTW. DISCLOSURE TO THIRD PARTY HAS TO BE AUTHORIZED BY Amphenol LTW.

REV.	ECN NO.	DATE	SIGN	DESCRIPTION
B	LEN15C0092	2015-12-01	Spring	update the pin out and note



ALTW
CONFIDENTIAL
2015-12-01
R&D DEPT.

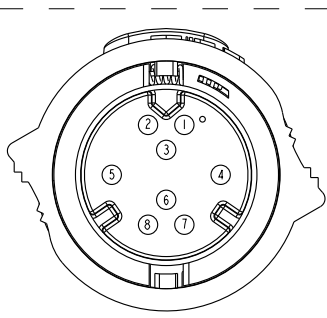
ALTW
DCC. DEPT.
CONFIDENTIAL
2015.12.08
ISSUED

CD-08AFFM-QL8W00
Color: Black

- Note:
- * \varnothing Important Dimension To Check.
 - * Working Voltage Rating: AC 300 V
 - * Working Current Rating: 5A
 - * Waterproof Rate: IP68(Mated).
- $\triangle B$ (in 1 meter water within 24 hours)
- * Housing: Nylon+GF, Black.
 - * Female Pin: Copper Alloy, Gold Plated
 - * Cable: UL21388 20AWG*8C+AL/PET Tape Black,PVC Jacket UV Resistant, OD=7.2
 - * Cable Length Tolerance: 01M:±40mm
02M~05M:±60mm
06M~10M:±100mm
11M~30M:±200mm
31M~99M:±500mm

CD-08AFFM-QL8DXX

XX : 01~99Meters
01 : 01Meter
02 : 02Meters
:
:
99 : 99Meters



8	Green	綠
7	Orange	橙
6	Blue	藍
5	Purple	紫
4	Yellow	黃
3	Black	黑
2	Red	紅
1	Brown	棕
Conn.	Wire Color	
	Pin Out	

Pin Assignments
Front View

UNIT:mm
TOLERANCE ±0.5

TITLE X Lok C-Size Cable 8 Pin 5A F Conn. F Pin			
SCALE 1:1	SIZE A4	SHEET 1 OF 1	
REV. B	WC-REV. A.1	\varnothing : Inspection item	

Amphenol LTW
安費諾亮泰企業股份有限公司

ITEM NO	DRAWN BY Spring	DATE 2015-12-01
DWG NO CD-08AFFM-QL8DXX	CHECKED BY Fisher	DATE 2015-12-01
CUSTOMER ALTW	APPROVED BY Kevin	DATE 2015-12-01