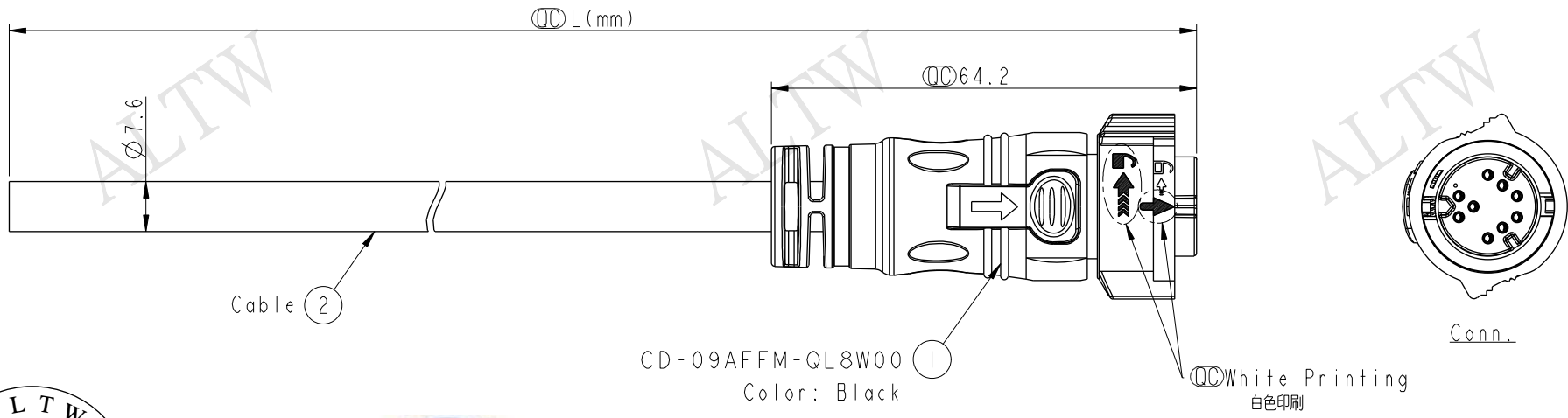


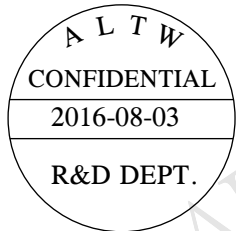
REV.	ECN NO.	DATE	SIGN	DESCRIPTION
B	LEN1680619	2016-08-03	Wes Fan	Modify Wire Color.

THIS DOCUMENT IS SUBJECT TO CHANGE WITHOUT NOTICE. IT IS CONFIDENTIAL AND A PROPERTY OF AMPHENOL LTW. DISCLOSURE TO THIRD PARTY HAS TO BE AUTHORIZED BY AMPHENOL LTW.



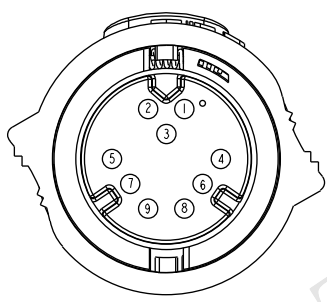
CD-09AFFM-QL8W00  
Color: Black

White Printing  
白色印刷



- Note:
- \*  $\varnothing$  Important Dimension To Check.
  - \* Working Voltage Rating: AC 300 V
  - \* Working Current Rating: 5A
  - \* Flame Class: UL94V-0 (UV Resistance)
  - \* Waterproof Rate: IP68(Mated).
  - \* Housing: Nylon+GF, Black.
  - \* Female Pin: Copper Alloy, Gold Plated
  - \* Cable: UL21388 20AWG\*9C+AL/PET Tape Black,PVC Jacket UV Resistant, OD=7.6
  - \* Cable Length Tolerance: 01M:±40mm  
02M~05M:±60mm  
06M~10M:±100mm  
11M~30M:±200mm  
31M~99M:±500mm

CD-09AFFM-QL8DXX  
 XX : 01~99Meters  
 01 : 01Meter  
 02 : 02Meters  
 ...  
 99 : 99Meters



9	Brown	棕
8	Green	綠
7	Orange	橙
6	Blue	藍
5	Purple	紫
4	Yellow	黃
3	Black	黑
2	Red	紅
1	Gray	灰
Conn.	Wire Color	
Pin Out		



UNIT:mm TOLERANCE ±0.5

TITLE X Lok C-Size Cable 9 Pin 5A F Conn. F Pin			
SCALE 1:1	SIZE A4	SHEET 1 OF 1	
REV. B	WC-REV. A.1	QC: Inspection item	

**Amphenol LTW**  
安費諾亮泰企業股份有限公司

ITEM NO	DRAWN BY Wes Fan	DATE 2016-08-03
DWG NO CD-09AFFM-QL8DXX	CHECKED BY Spring Liu	DATE 2016-08-03
CUSTOMER ALTW	APPROVED BY Kevin Hu	DATE 2016-08-03