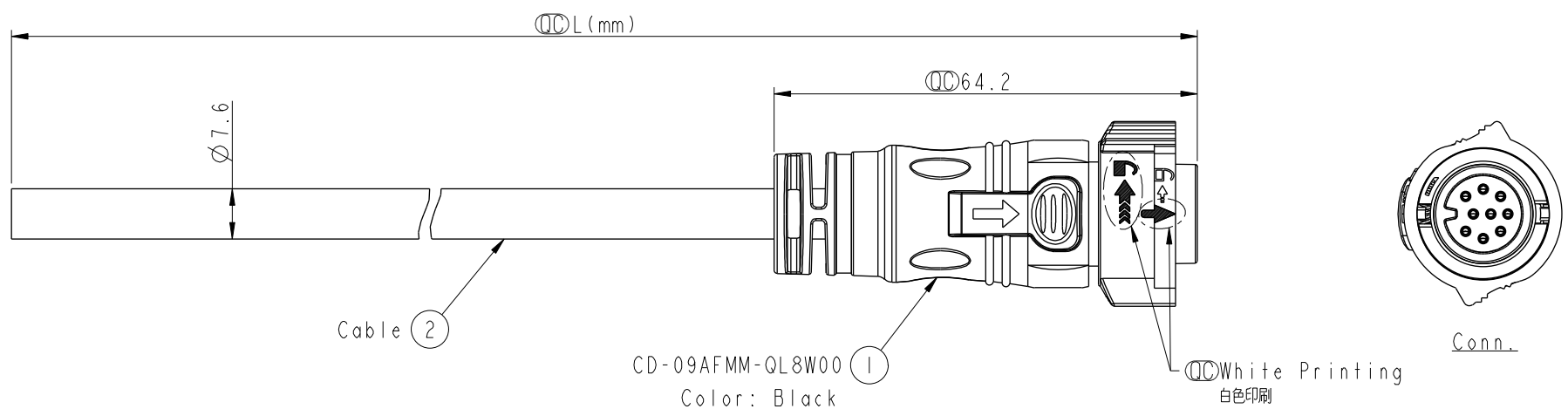


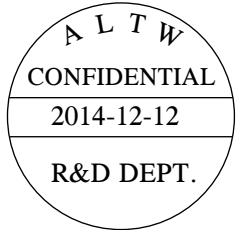
|      |         |      |      |             |
|------|---------|------|------|-------------|
| REV. | ECN NO. | DATE | SIGN | DESCRIPTION |
|      |         |      |      |             |



Cable ②

CD-09AFMM-QL8W00 ①  
Color: Black

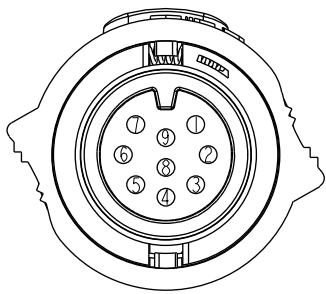
① White Printing  
白色印刷



CD-09AFMM-QL8DXX

XX : 01~99Meters  
01 : 01Meter  
02 : 02Meters  
:  
:  
99 : 99Meters

- Note:
- \* ① Important Dimension To Check.
  - \* Working Voltage Rating: AC 300V
  - \* Working Current Rating: 5A
  - \* Flame Class: UL94V-0 (UV Resistance)
  - \* Waterproof Rate: IP68. (Mated)
  - \* Housing: Nylon+GF, Black
  - \* Male Pin: Copper Alloy, Gold Plated
  - \* Cable: UL21388 20AWG\*9C+AL.Mylar Black, PVC Jacket UV Resistant, OD=7.6
  - \* Cable Length Tolerance: 01M:±40mm  
02M~05M:±60mm  
06M~10M:±100mm  
11M~30M:±200mm  
31M~99M:±500mm



Pin Assignments  
Front View

|       |            |         |
|-------|------------|---------|
| 9     | Gray       | 灰       |
| 8     | Purple     | 紫       |
| 7     | Blue       | 藍       |
| 6     | Green      | 綠       |
| 5     | Yellow     | 黃       |
| 4     | Orange     | 橙       |
| 3     | Red        | 紅       |
| 2     | Brown      | 棕       |
| 1     | Black      | 黑       |
| Conn. | Wire Color | Pin Out |

|           |      |
|-----------|------|
| UNIT:mm   |      |
| TOLERANCE | ±0.5 |

|   |         |                   |    |
|---|---------|-------------------|----|
| TITLE<br>X Lok C-Size<br>Cable 9 Pin 5A F Conn. M Pin |         |                   |    |
| SCALE   | SIZE    | SHEET             | OF |
| 1:1   | A4      | 1                 | 1  |
| REV.  | WC-REV. | ① Inspection item |    |
| A   | A.1     |                   |    |

**Amphenol LTW**  
安費諾亮泰企業股份有限公司

|                  |             |            |
|------------------|-------------|------------|
| ITEM NO          | DRAWN BY    | DATE       |
|                  | Micky       | 2014-12-12 |
| DWG NO           | CHECKED BY  | DATE       |
| CD-09AFMM-QL8DXX | Spring      | 2014-12-12 |
| CUSTOMER         | APPROVED BY | DATE       |
| ALTW             | Kevin       | 2014-12-12 |

THIS DOCUMENT IS SUBJECT TO CHANGE WITHOUT NOTICE. IT IS CONFIDENTIAL AND A PROPERTY OF Amphenol LTW. DISCLOSURE TO THIRD PARTY HAS TO BE AUTHORIZED BY Amphenol LTW.