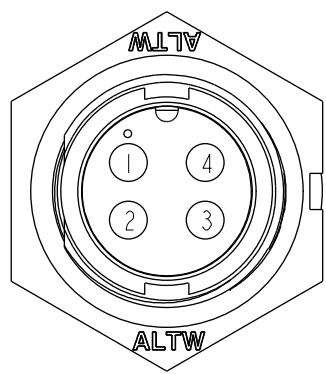
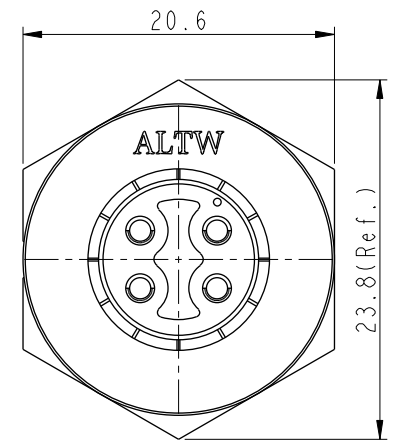
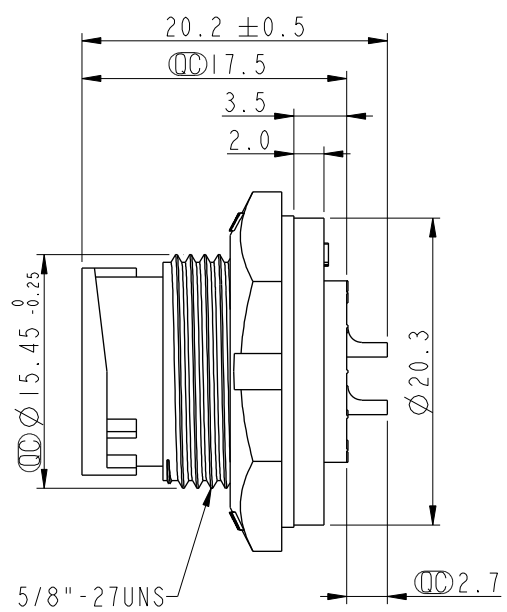
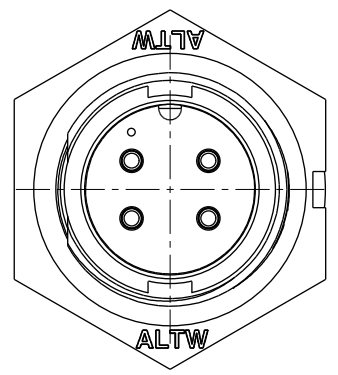


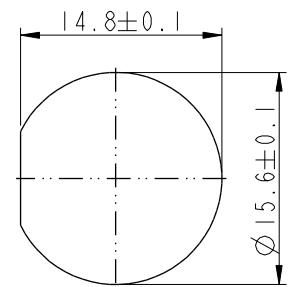
THIS DOCUMENT IS SUBJECT TO CHANGE WITHOUT NOTICE. IT IS CONFIDENTIAL AND A PROPERTY OF AMPHENOL LTW. DISCLOSURE TO THIRD PARTY HAS TO BE AUTHORIZED BY AMPHENOL LTW.

REV.	ECN NO.	DATE	SIGN	DESCRIPTION
A	Initial Release	2013/11/15	Ann	New Item
B	C190315	2019/03/19	Ruru	Modify Note & Add QC Dimension

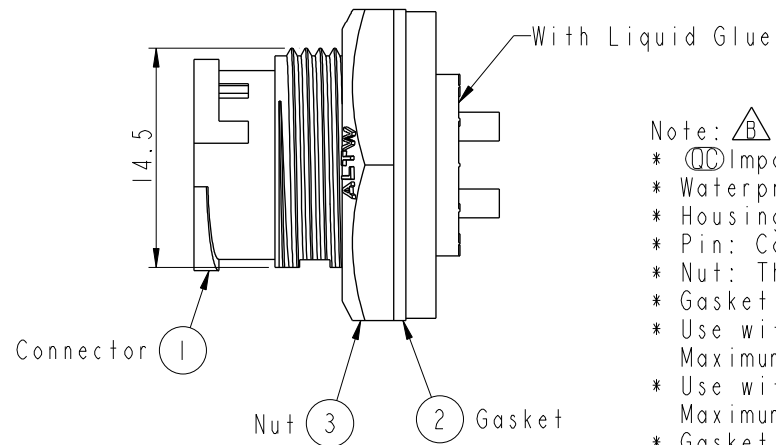
**ALTW**  
 CONFIDENTIAL  
 2019-03-19  
 R&D DEPT.



Pin Assignments  
Front View



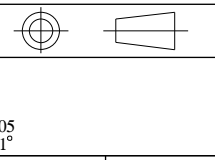
Recommended Panel  
Cut-Out



- Note:
- \* Important Dimension
  - \* Waterproof Rate: IP67, Unmated
  - \* Housing: Thermoplastic, Black
  - \* Pin: Copper Alloy, Gold Plated
  - \* Nut: Thermoplastic, Black
  - \* Gasket: Rubber, Gray
  - \* Use with waterproof cap or dust cap  
Maximum Panel Thickness: 2.8mm
  - \* Use without waterproof cap or dust cap  
Maximum Panel Thickness: 4.0mm
  - \* Gasket and Nut are packed separately in PE bags

**UNIT:mm**

.X	±0.25
.XX	±0.1
.XXX	±0.05
ANGLES	±1°



TITLE Standard CNC Pin Panel Lock 4Pin M Conn M Pin			
SCALE 2:1	SIZE A4	SHEET 1 OF 1	
REV. B	WC-REV. A.4	Inspection item	

**Amphenol LTW**  
 安費諾亮泰企業股份有限公司

ITEM NO IBD-04PMMS-LC7001	DRAWN BY Ruru	DATE 2019-03-19
DWG NO IBD-04PMMS-LC7001	CHECKED BY Rita	DATE 2019-03-19
CUSTOMER ALTW	APPROVED BY Max	DATE 2019-03-19

DATE 2019-03-19
DATE 2019-03-19
DATE 2019-03-19