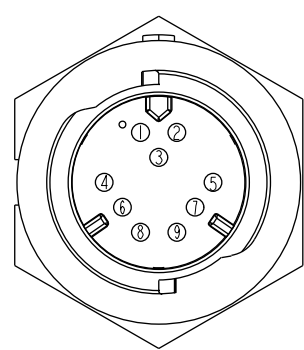
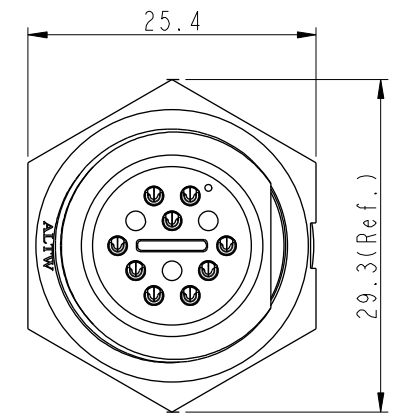
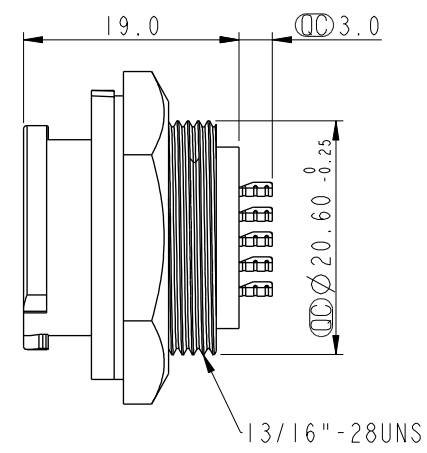
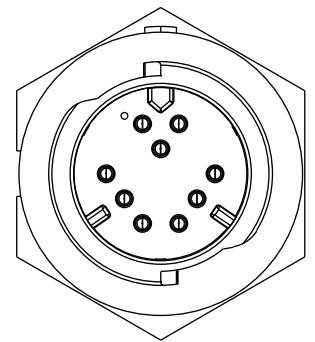


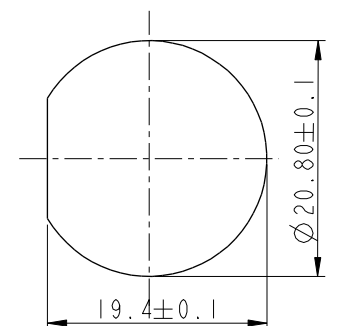
THIS DOCUMENT IS SUBJECT TO CHANGE WITHOUT NOTICE. IT IS CONFIDENTIAL AND A PROPERTY OF AMPHENOL LTW. DISCLOSURE TO THIRD PARTY HAS TO BE AUTHORIZED BY AMPHENOL LTW.

REV.	ECN NO.	DATE	SIGN	DESCRIPTION
B	C190470	2019/03/21	Vicky	Change Note

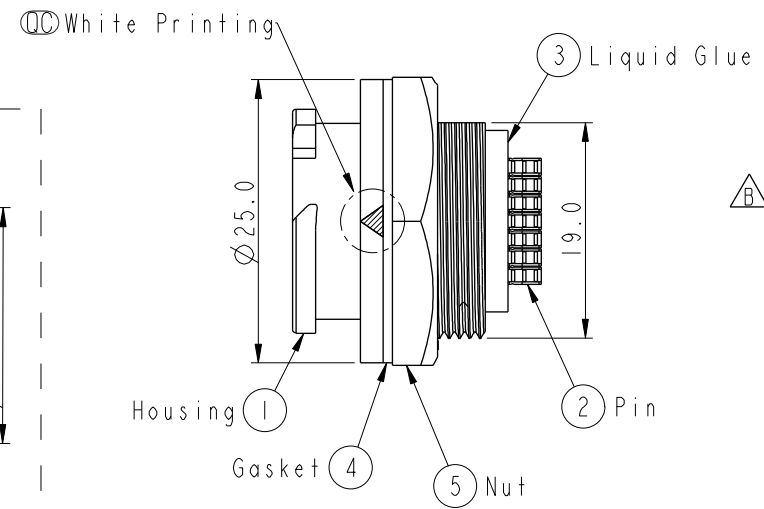
ALTW
 CONFIDENTIAL
 2019-03-21
 R&D DEPT.



Pin Assignments
Front View



Recommended Panel Cut-Out



- Note:**
- * CC Important Dimension To Check.
 - * Waterproof Rate: IP68, Unmated.
In 1 meter water within 24 hours
 - * Housing: Thermoplastic, Black.
 - * Pin: Copper Alloy, Gold Plated.
 - * Nut: Thermoplastic, Black.
 - * Gasket: Rubber, Gray.
 - * Panel Thickness Max: 4.2mm
 - * Gasket and Nut are packed separately in PE bags.

UNIT: mm		TITLE		ITEM NO.	DRAWN BY	DATE
		X-Lok C Size Receptacle Rear 9Pin M Conn. M Pin				
TOLERANCE		SCALE	SIZE	DWG NO.	CHECKED BY	DATE
.X ±0.25		3:2	A4	CD-09RMMS-OC8001	Rita	2019-03-21
.XX ±0.1	REV.	WC-REV.	SHEET	CUSTOMER	APPROVED BY	DATE
.XXX ±0.05	B	A.2	1 OF 1	ALTW	Max	2019-03-21
ANGLES ±1°	CC : Inspection item		Amphenol LTW 安費諾亮泰企業股份有限公司			