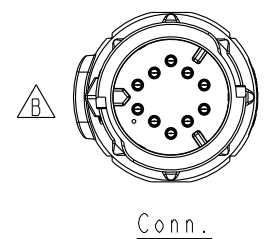
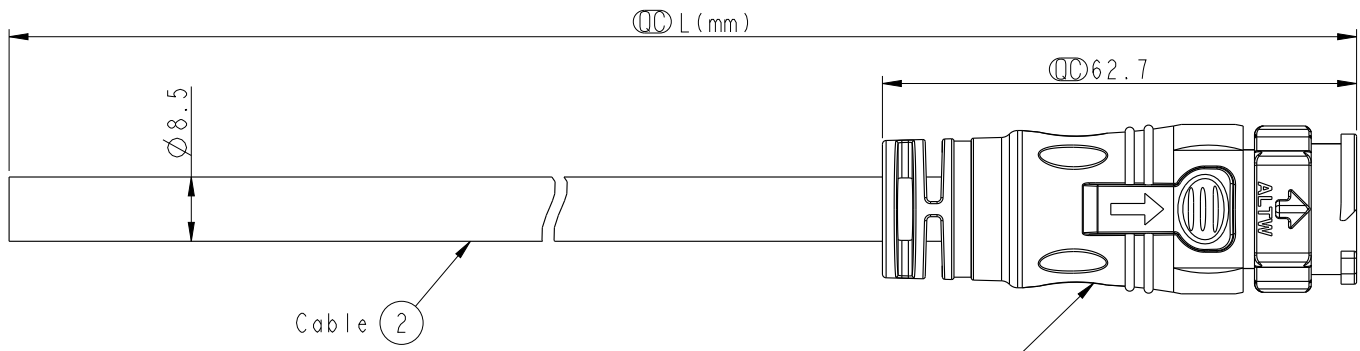


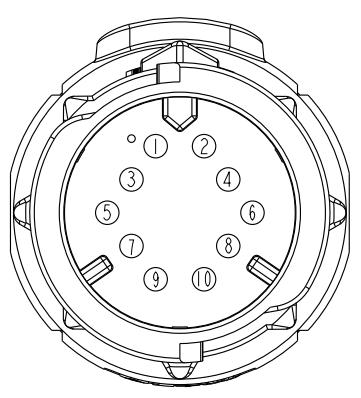
REV.	ECN NO.	DATE	SIGN	DESCRIPTION
B	C192040	2019-11-24	Peng	△BXI



CD-10AMMM-QL8W00
Color: Black

- Note:
- * \varnothing Important Dimension To Check.
 - * Working Voltage Rating: AC 300 V
 - * Working Current Rating: 5A
 - * Flame Class: UL94V-0 (UV Resistance)
 - * Waterproof Rate: IP68(Mated)
 - * Housing: Nylon+GF, Black.
 - * Male Pin :Copper Alloy, Gold Plated
 - * Cable: UL21388 20AWG*10C+AL/PET Tape Black, PVC Jacket UV Resistant, OD=8.5
 - * Cable Length Tolerance: 01M:±40mm
02M~05M:±60mm
06M~10M:±100mm
11M~30M:±200mm
31M~99M:±500mm

CD-10AMMM-QL8DXX
↑
XX :01~99Meters
01 :01Meter
02 :02Meters
:
:
99 :99Meters



Pin Assignments
Front View

10	White	白
9	Gray	灰
8	Purple	紫
7	Blue	藍
6	Green	綠
5	Yellow	黃
4	Orange	橙
3	Red	紅
2	Brown	棕
1	Black	黑
Conn.	Wire Color	
	Pin Out	

UNIT:mm
TOLERANCE ±0.5

TITLE X Lok C-Size Cable 10 Pin 5A M Conn. M Pin			
SCALE 1:1	SIZE A4	SHEET 1 OF 1	
REV. B	WC-REV. A.2	\varnothing : Inspection item	

Amphenol LTW
安費諾亮泰企業股份有限公司

ITEM NO	DRAWN BY Micky	DATE 2014-12-11
DWG NO CD-10AMMM-QL8DXX	CHECKED BY Spring	DATE 2014-12-11
CUSTOMER ALTW	APPROVED BY Kevin	DATE 2014-12-11

THIS DOCUMENT IS SUBJECT TO CHANGE WITHOUT NOTICE. IT IS CONFIDENTIAL AND A PROPERTY OF Amphenol LTW. DISCLOSURE TO THIRD PARTY HAS TO BE AUTHORIZED BY Amphenol LTW.