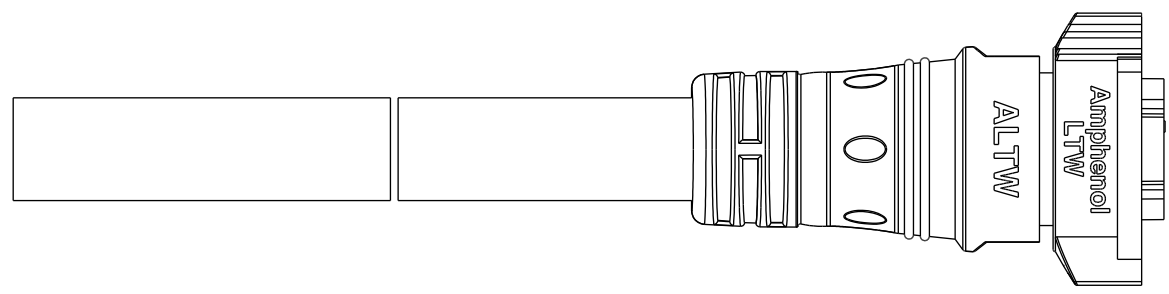
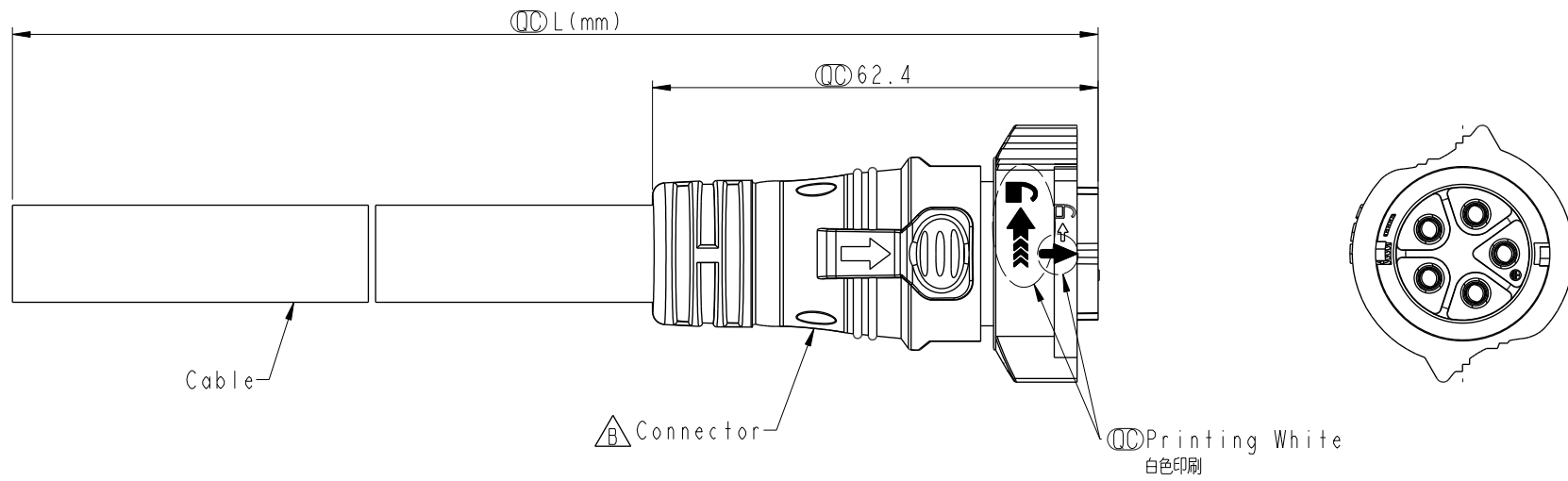


THIS DOCUMENT IS SUBJECT TO CHANGE WITHOUT NOTICE. IT IS CONFIDENTIAL AND A PROPERTY OF Amphenol LTW. DISCLOSURE TO THIRD PARTY HAS TO BE AUTHORIZED BY Amphenol LTW.

| REV. | ECN NO. | DATE       | SIGN       | DESCRIPTION      |
|------|---------|------------|------------|------------------|
| C    | C220554 | 2022/04/11 | Vicky      | $\triangle C$ X8 |
| D    | C220877 | 2022/06/15 | Kyle Huang | $\triangle D$ XI |
| E    | C230119 | 2023/02/08 | Vicky      | $\triangle E$ XI |



- $\triangle C$  Note:
- \* RoHS Compliant
  - \*  $\odot$  Important dimension
  - $\triangle E$  \* Waterproof rate: IP68, mated 1m/24h
  - \* Connector
  - Housing: Thermoplastic, Black
  - Pin: Copper alloy, Gold plated
  - O-Ring: Rubber, Dark gray
  - Nut: Thermoplastic, Black
  - Outer mold: Thermoplastic, Black
  - \* Cable: SJTW, PVC Jacket, Black
  - \* Cable length tolerance: IM: +50/-0 mm

|                |            |
|----------------|------------|
| 1M < L ≤ 3M:   | +100/-0 mm |
| 3M < L ≤ 5M:   | +150/-0 mm |
| 5M < L ≤ 10M:  | ±100 mm    |
| 10M < L ≤ 20M: | ±200 mm    |
| 20M < L ≤ 30M: | ±300 mm    |
| 30M < L ≤ 99M: | ±500 mm    |

|           |        |
|-----------|--------|
| UNIT: mm  |        |
| TOLERANCE | ±0.5mm |

|  |                |                           |               |
|--|----------------|---------------------------|---------------|
| TITLE<br>XLOK, D-20A, CABLE W/SR<br>F, F, MOLDING, PUSH LOCK |                |                           | $\triangle C$ |
| SCALE<br>1:1   | SIZE<br>A4     | SHEET<br>1 OF 2           |               |
| REV.<br>E  | WC-REV.<br>A.7 | $\odot$ : Inspection item |               |

**Amphenol LTW**  
安費諾亮泰企業股份有限公司

|  |                          |                    |
|--|--------------------------|--------------------|
| ITEM NO                                  | DRAWN BY<br>Wes Fan      | DATE<br>2016-06-23 |
| DWG NO<br>DC-XXAFFM-QL8EXX $\triangle C$ | CHECKED BY<br>Spring Liu | DATE<br>2016-06-23 |
| CUSTOMER<br>ALTW                         | APPROVED BY<br>Kevin Hu  | DATE<br>2016-06-23 |

THIS DOCUMENT IS SUBJECT TO CHANGE WITHOUT NOTICE. IT IS CONFIDENTIAL AND A PROPERTY OF Amphenol LTW. DISCLOSURE TO THIRD PARTY HAS TO BE AUTHORIZED BY Amphenol LTW.

|   |          |          |     |                  |
|---|----------|----------|-----|------------------|
|   | 5P       | 13.6     | 12  | DC-05AFFM-QL8EXX |
|   | 3P       | 11.7     |     | DC-03AFFM-QL8EXX |
|   | 2P       | 10.7     |     | DC-02AFFM-QL8EXX |
| △ | Contacts | Cable OD | AWG | Item No.         |

△  
DC-XXAFFM-QL8EXX

XX: No. Of Pin

XX: 01~99Meters  
 01: 01Meter  
 02: 02Meters  
 ...  
 99: 99Meters

|         |            |                |            |
|---------|------------|----------------|------------|
| Pin Out | 2 White 白  | △<br>3 White 白 | 5 Brown 棕  |
|         | 1 Black 黑  | 2 Green 綠      | 4 Red 紅    |
|         |            | 1 Black 黑      | 3 Green 綠  |
|         |            |                | 2 White 白  |
|         |            |                | 1 Black 黑  |
|         | Pin # Wire | Pin # Wire     | Pin # Wire |
| Conn.   |            |                |            |
|         | 2P         | 3P             | 5P         |

△ Pin Assignments Front View

|           |        |         |   |
|-----------|--------|---------|---|
| UNIT:mm   |        | TITLE   | XLOK, D-20A, CABLE W/SR<br>F, F, MOLDING, PUSH LOCK |
| TOLERANCE | ±0.5mm | SCALE   | 1:1   |
|           |        | SIZE    | A4  |
|           |        | SHEET   | 2 OF 2  |
|           |        | REV.    | E   |
|           |        | WC-REV. | A.7   |
|           |        | QC      | Inspection item                                     |

**Amphenol LTW**  
 安費諾亮泰企業股份有限公司

|                    |             |            |
|--------------------|-------------|------------|
| ITEM NO            | DRAWN BY    | DATE       |
|                    | Wes Fan     | 2016-06-23 |
| DWG NO             | CHECKED BY  | DATE       |
| DC-XXAFFM-QL8EXX △ | Spring Liu  | 2016-06-23 |
| CUSTOMER           | APPROVED BY | DATE       |
| ALTW               | Kevin Hu    | 2016-06-23 |