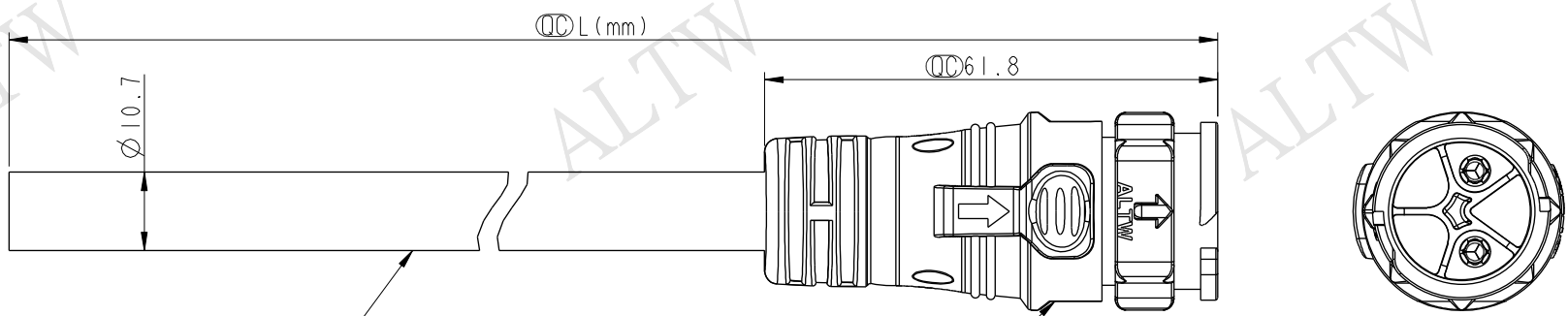


THIS DOCUMENT IS SUBJECT TO CHANGE WITHOUT NOTICE. IT IS CONFIDENTIAL AND A PROPERTY OF Amphenol LTW. DISCLOSURE TO THIRD PARTY HAS TO BE AUTHORIZED BY Amphenol LTW.

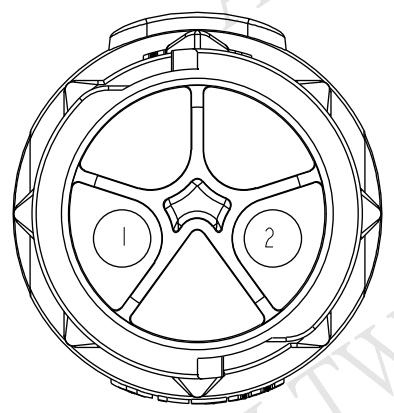
REV.	ECN NO.	DATE	SIGN	DESCRIPTION
A	Initial Release	2016-02-16	Wes	Change Rev.01 To Rev.A
B	LE31660482	2016-06-23	Wes	Change Part NO. of Half-finished



ALTW
CONFIDENTIAL
2016-06-23
R&D DEPT.

ALTW
DCC. DEPT.
CONFIDENTIAL
2016.06.29
ISSUED

△ DC-02AMMM-QL8WOP
Color: Black



Pin Assignments
Front View

2	White	白
1	Black	黑
Conn.	Wire Color	
Pin Out		

DC-02AMMM-QL8DXX
 ↑
 XX : 01~99Meters
 01 : 01Meter
 02 : 02Meters
 ...
 99 : 99Meters
 Cable Length(L): 01~99Meters

- Note:
- * Ⓞ Important Dimension To Check.
 - * Working Voltage Rating: AC 300V
 - * Working Current Rating: Max. 20A
 - * Waterproof Rate: IP68(Mated)
In 1 meters water within 24hours.
 - * Housing: Nylon+GF, Black(UV Resistance)
 - * Male Pin: Copper Alloy, Gold & Ni Plated
 - * Cable: SJTW 12AWG*2C, PVC Jacket,
OD=10.7, Black.
 - * Cable Length Tolerance: 01M:±40mm
02M-05M:±60mm
06M~10M:±100mm
11M~30M:±200mm
31M~99M:±500mm

UNIT:mm			TITLE X-Lok D Size Cable Molding 2Pin M Connector M Pin(20A)
TOLERANCE ±0.5	SCALE 1:1	SIZE A4	SHEET 1 OF 1
	REV. B	WC-REV. A.4	Ⓞ: Inspection item

Amphenol LTW
安費諾亮泰企業股份有限公司

ITEM NO	DRAWN BY Wes Fan	DATE 2016-06-23
DWG NO DC-02AMMM-QL8EXX	CHECKED BY Spring Liu	DATE 2016-06-23
CUSTOMER ALTW	APPROVED BY Kevin Hu	DATE 2016-06-23