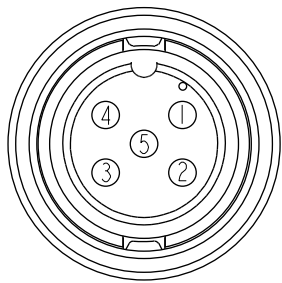
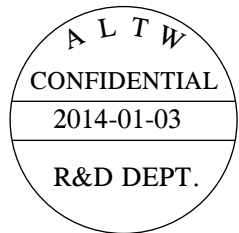
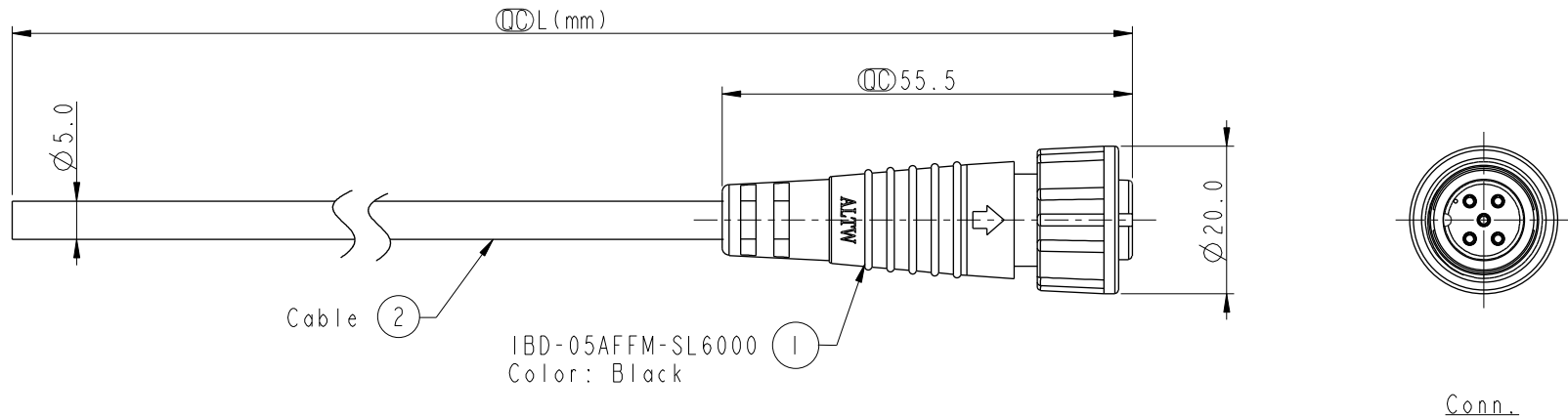


REV.	ECN NO.	DATE	SIGN	DESCRIPTION



Pin Assignments
Front View

5	Green	綠
4	White	白
3	Black	黑
2	Blue	藍
1	Brown	棕
Conn.	Wire Color	
Pin Out		

IBD-05AFFM-SL6AXX

XX : 01~99Meters
 01 : 01Meter
 02 : 02Meters
 :
 :
 99 : 99Meters

Cable Length(L): 01~99Meters

Note:

- * ⌀ Important Dimension To Check
- * Waterproof Rate: IP66
- * Housing: Nylon+GF, Black
- * Female Pin: Copper Alloy, Gold Plated
- * Screw Nut: Nylon+GF, Black
- * O-Ring: Silicon, Gray
- * Cable: UL2464 24AWG*5C+D+AL/My
PVC Jacket UV Resistant, OD=5.0, Black
- * Cable Length Tolerance: 01M: $\pm 40\text{mm}$
02M~05M: $\pm 60\text{mm}$
06M~10M: $\pm 100\text{mm}$
11M~30M: $\pm 200\text{mm}$
31M~99M: $\pm 500\text{mm}$

UNIT:mm	
TOLERANCE	$\pm 0.5 \text{ mm}$

TITLE STANDARD CNC PIN CABLE SCREW 5PIN F CONN F PIN			
SCALE 1:1	SIZE A4	SHEET 1 OF 1	
REV. A	WC-REV. A.2	⌀ : Inspection item	

Amphenol LTW
安費諾亮泰企業股份有限公司

ITEM NO	DRAWN BY Ruru	DATE 2014-01-03
DWG NO IBD-05AFFM-SL6AXX	CHECKED BY Tony	DATE 2014-01-03
CUSTOMER ALTW	APPROVED BY Victor	DATE 2014-01-03

THIS DOCUMENT IS SUBJECT TO CHANGE WITHOUT NOTICE. IT IS CONFIDENTIAL AND A PROPERTY OF Amphenol LTW. DISCLOSURE TO THIRD PARTY HAS TO BE AUTHORIZED BY Amphenol LTW.