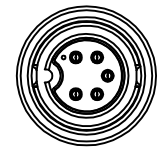
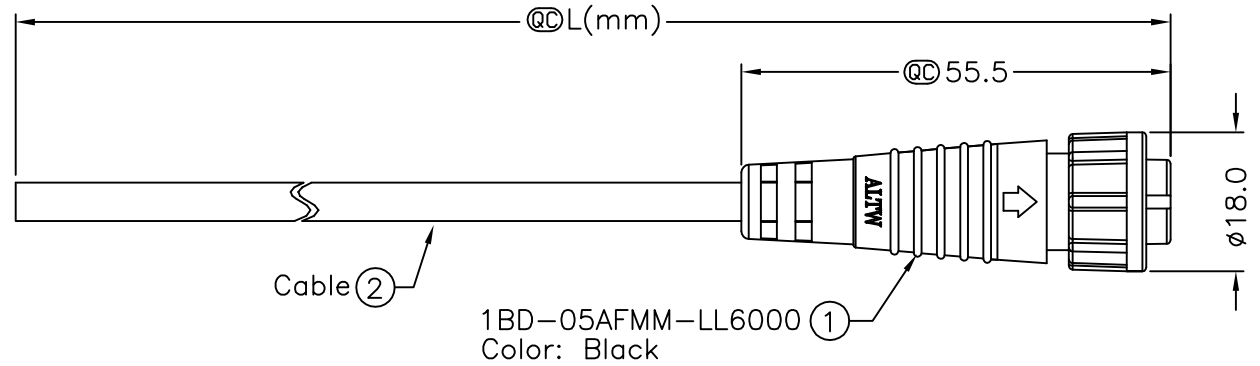


5	6	7	8
REV.	ECN NO.	DATE	SIGN
			DESCRIPTION

THIS DOCUMENT IS SUBJECT TO CHANGE WITHOUT NOTICE. IT IS CONFIDENTIAL AND A PROPERTY OF Amphenol LTW. DISCLOSURE TO THIRD PARTY HAS TO BE AUTHORIZED BY Amphenol LTW.



1BD-05AFMM-LL6000  
Color: Black

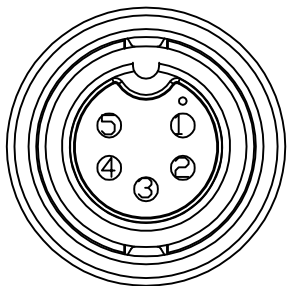
1BD-05AFMM-LL6AXX

- XX:01~99Meters
- 01:01 Meters
- 02:02 Meters
- ⋮
- 99:99 Meters

Cable Length(L):01~99Meters

Note :

- \* @C Important Dimension To Check.
- \* Waterproof Rate: IP66
- \* Housing: Nylon+GF, Black.
- \* Male Pin: Copper Alloy, Gold Plated.
- \* Cable: UL2464 24AWG\*5C+D+AL/My  
PVC Jacket UV Resistant, OD=5.0, Black.
- \* Cable Length Tolerance: 01M: ±40mm  
02M~05M: ±60mm  
06M~10M: ±100mm  
11M~30M: ±200mm  
31M~99M: ±500mm



Pin Assignments  
Front View

5	Green	綠
4	White	白
3	Black	黑
2	Blue	藍
1	Brown	棕
Conn.	Wire Color	
	Pin Out	

UNIT:mm	
TOLERANCE	±0.5 mm

TITLE		STANDARD CNC PIN	
SCALE		Free	
REV.	A	SIZE	A4
SHEET		1 OF 1	
QC :Inspection Item			

**Amphenol LTW**  
安費諾亮泰企業股份有限公司

ITEM NO	
DWG NO	1BD-05AFMM-LL6AXX
CUSTOMER	ALTW

DRAWN BY	Ruru
CHECKED BY	Tony
APPROVED BY	Victor

DATE	2013/11/27
DATE	2013/11/27
DATE	2013/11/27

A B C D E F