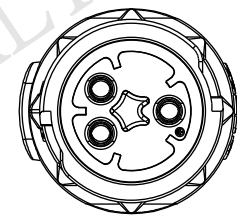
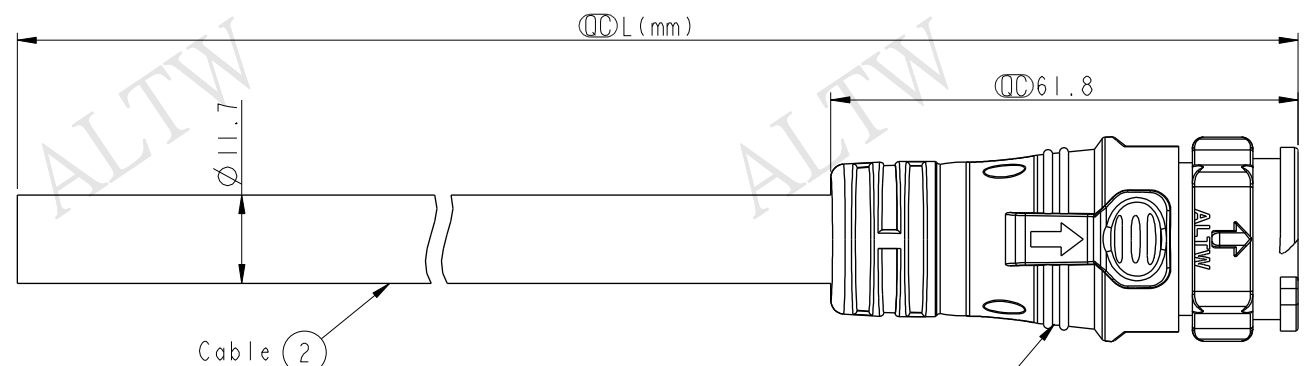


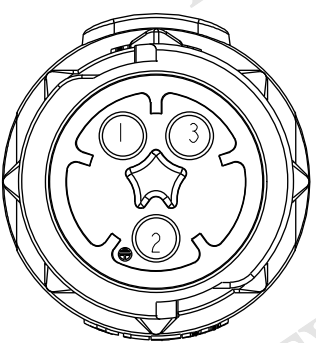
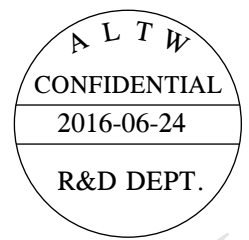
THIS DOCUMENT IS SUBJECT TO CHANGE WITHOUT NOTICE. IT IS CONFIDENTIAL AND A PROPERTY OF AMPHENOL LTW. DISCLOSURE TO THIRD PARTY HAS TO BE AUTHORIZED BY AMPHENOL LTW.

REV.	ECN NO.	DATE	SIGN	DESCRIPTION
A	Initial Release	2016-02-16	Wes	Change Rev.01 To Rev.A
B	LE31660491	2016-06-24	Wes	Change Part NO. of Half-finished



Conn.

△ DC-03AMFM-QL8W0P ①
Color: Black



Pin Assignments
Front View

3	Green	綠
2	White	白
1	Black	黑
Conn.	Wire Color	
Pin Out		

DC-03AMFM-QL8DXX

- XX : 01~99Meters
- 01 : 01Meter
- 02 : 02Meters
- ...
- 99 : 99Meters

Cable Length(L): 01~99Meters

Note:

- * Ⓞ Important Dimension To Check.
- * Working Voltage Rating: AC 300V
- * Working Current Rating: Max. 20A
- * Waterproof Rate: IP68(Mated)
In 1 meters water within 24hours.
- * Housing: Nylon+GF, Black(UV Resistance)
- * Female Pin: Copper Alloy, Gold & Ni Plated
- * Cable: SJTW 12AWG*3C, PVC Jacket,
OD=11.7, Black.
- * Cable Length Tolerance: 01M:±40mm
02M~05M:±60mm
06M~10M:±100mm
11M~30M:±200mm
31M~99M:±500mm

UNIT:mm	
TOLERANCE	±0.5

TITLE X-Lok D Size Cable Molding 3Pin M Connector F Pin(20A)			
SCALE 1:1	SIZE A4	SHEET 1 OF 1	
REV. B	WC-REV. A.5	Ⓞ: Inspection item	

Amphenol LTW
安費諾亮泰企業股份有限公司

ITEM NO	DRAWN BY Wes Fan	DATE 2016-06-24
DWG NO DC-03AMFM-QL8EXX	CHECKED BY Spring Liu	DATE 2016-06-24
CUSTOMER ALTW	APPROVED BY Kevin Hu	DATE 2016-06-24