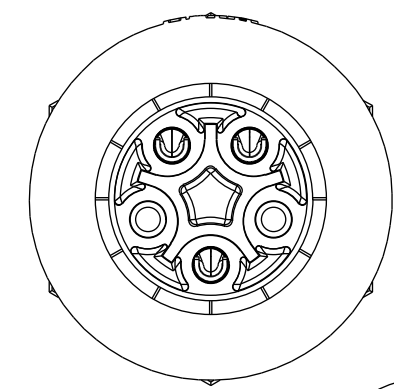
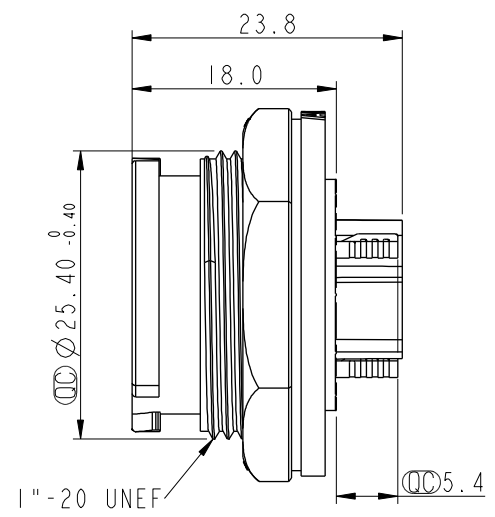
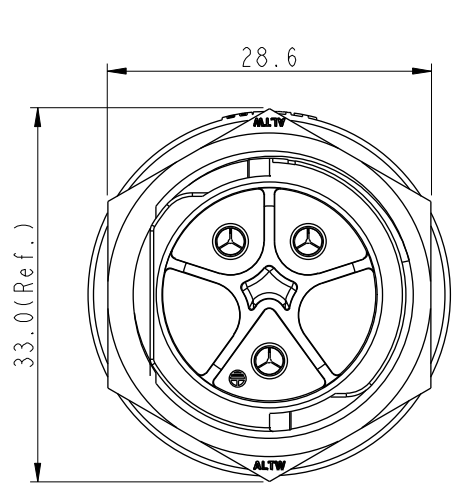


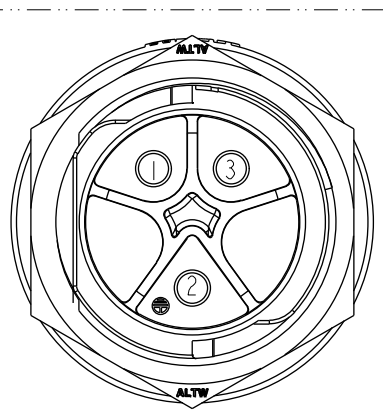
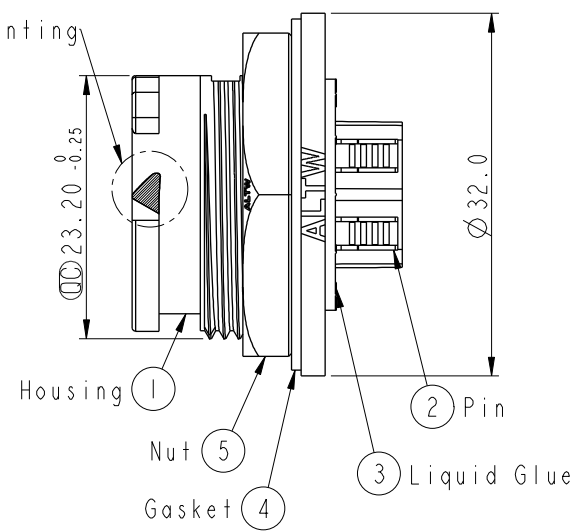
THIS DOCUMENT IS SUBJECT TO CHANGE WITHOUT NOTICE. IT IS CONFIDENTIAL AND A PROPERTY OF AMPHENOL LTW. DISCLOSURE TO THIRD PARTY HAS TO BE AUTHORIZED BY AMPHENOL LTW.

REV.	ECN NO.	DATE	SIGN	DESCRIPTION
A	Initial Release	2016/05/18	Wes	Change Rev.01 To Rev.A
B	CI90403	2019/03/12	Vicky	Change Note

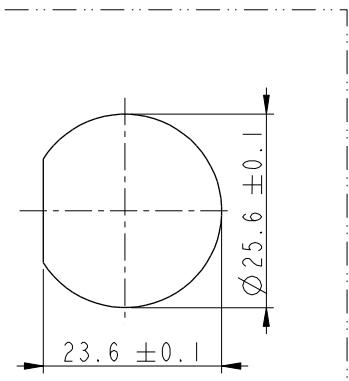


**ALTW**  
 CONFIDENTIAL  
 2019-03-12  
 R&D DEPT.

☉ White Printing



Pin Assignments  
Front View



Recommended Panel  
Cut-Out

- Note:**
- \* ☉ Important Dimension To Check.
  - \* Waterproof Rate: IP68, Unmated. In 1 meters water within 24hours.
  - \* Housing: Thermoplastic, Black.
  - \* Pin: Copper Alloy, Gold Plated.
  - \* Nut: Thermoplastic, Black.
  - \* Gasket: Rubber, Gray.
  - \* Use Without Waterproof Cap  
Panel Thickness Max: 3.6mm
  - \* Use With Waterproof Cap  
Panel Thickness Max: 2.6mm
  - \* Gasket and Nut are packed separately in PE bags.

UNIT:mm	
TOLERANCE	
.X	±0.25
.XX	±0.1
.XXX	±0.05
ANGLES	±1°

TITLE X-Lok D Size 20A(For Power) Receptacle Front 3P M Conn M Pin			
SCALE 3:2	SIZE A4	SHEET 1 OF 1	
REV. B	WC-REV. A.2	☉: Inspection item	

**Amphenol LTW**  
 安費諾亮泰企業股份有限公司

ITEM NO. DC-03PMMS-QC800P	DRAWN BY Vicky	DATE 2019-03-12
DWG NO. DC-03PMMS-QC800P	CHECKED BY Rita	DATE 2019-03-12
CUSTOMER ALTW	APPROVED BY Max	DATE 2019-03-12