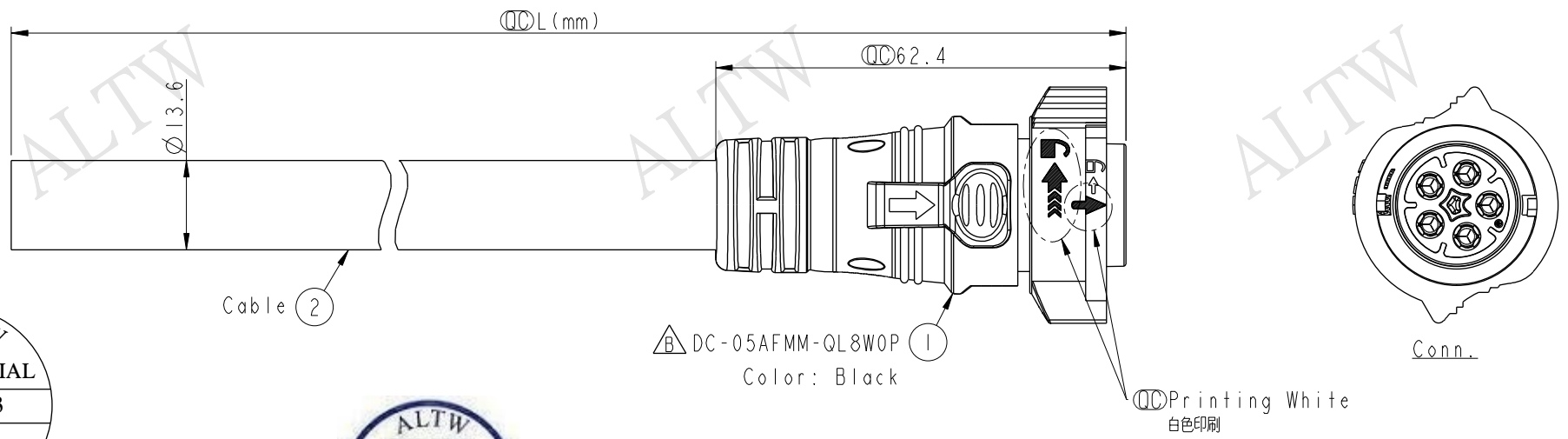


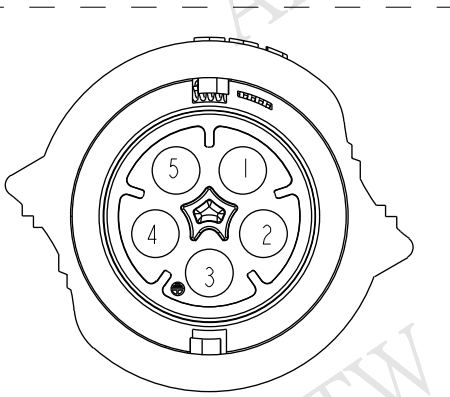
REV.	ECN NO.	DATE	SIGN	DESCRIPTION
A	Initial Release	2016-02-16	Wes	Change Rev.01 To Rev.A
B	LE31660483	2016-06-23	Wes	Change Part NO. of Half-finished



ALTW  
CONFIDENTIAL  
2016-06-23  
R&D DEPT.

ALTW  
DCC. DEPT.  
CONFIDENTIAL  
2016.06.29  
ISSUED

△ DC-05AFMM-QL8WOP (1)  
Color: Black



Pin Assignments  
Front View

5	Brown	棕
4	Red	紅
3	Green	綠
2	White	白色
1	Black	黑
Conn.	Wire Color	
	Pin Out	

DC-05AFMM-QL8EXX  
 XX : 01~99Meters  
 01 : 01Meter  
 02 : 02Meters  
 :  
 :  
 99 : 99Meters  
 Cable Length(L): 01~99Meters

- Note:
- \* (C) Important Dimension To Check.
  - \* Working Voltage Rating: AC 300V
  - \* Working Current Rating: Max.20A
  - \* Waterproof Rate: IP68(Mated)  
In 1 meters water within 24hours.
  - \* Housing: Nylon+GF, Black (UV Resistance)
  - \* Male Pin: Copper Alloy, Gold & Ni Plated
  - \* Cable: SJTW 12AWG\*5C, PVC Jacket,  
OD=13.6, Black.
  - \* Cable Length Tolerance: 01M:±40mm  
02M~05M:±60mm  
06M~10M:±100mm  
11M~30M:±200mm  
31M~99M:±500mm

UNIT:mm  
TOLERANCE ±0.5

TITLE X-Lok D Size Cable Molding 5Pin F Connector M Pin(20A)			
SCALE 1:1	SIZE A4	SHEET 1 OF 1	
REV. B	WC-REV. A.5	(C): Inspection item	

**Amphenol LTW**  
安費諾亮泰企業股份有限公司

ITEM NO	DRAWN BY Wes Fan	DATE 2016-06-23
DWG NO DC-05AFMM-QL8EXX	CHECKED BY Spring Liu	DATE 2016-06-23
CUSTOMER ALTW	APPROVED BY Kevin Hu	DATE 2016-06-23

THIS DOCUMENT IS SUBJECT TO CHANGE WITHOUT NOTICE. IT IS CONFIDENTIAL AND A PROPERTY OF Amphenol LTW. DISCLOSURE TO THIRD PARTY HAS TO BE AUTHORIZED BY Amphenol LTW.