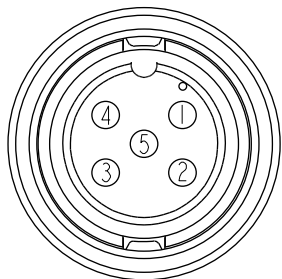
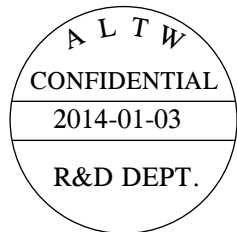
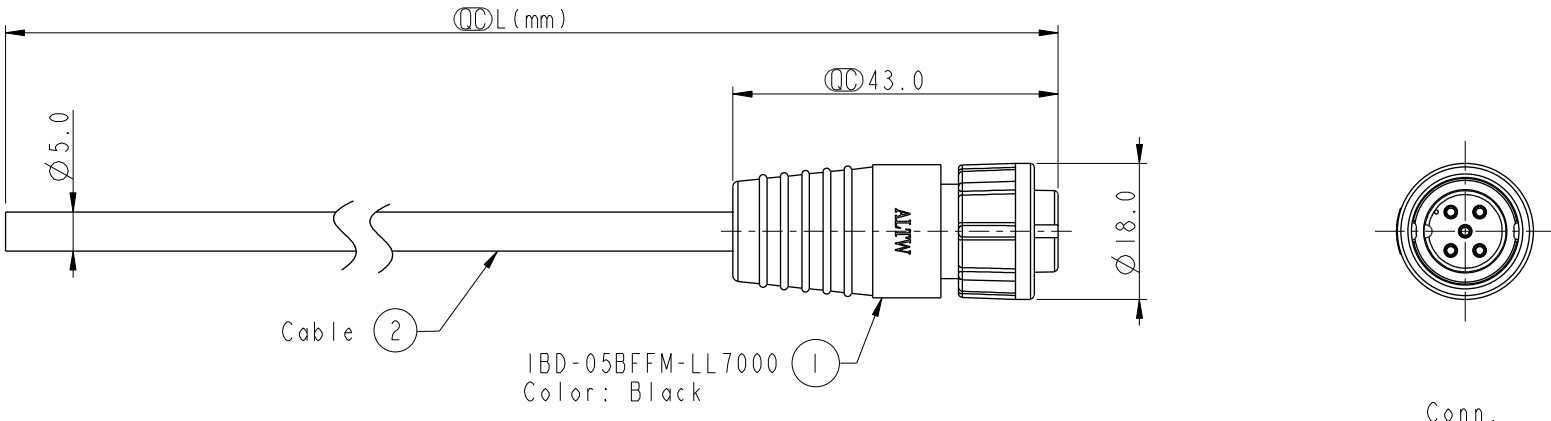


REV.	ECN NO.	DATE	SIGN	DESCRIPTION



Pin Assignments
Front View

5	Green	綠
4	White	白
3	Black	黑
2	Blue	藍
1	Brown	棕
Conn.	Wire Color	
Pin Out		

IBD-05BFFM-LL7AXX
 ↑
 XX : 01~99Meters
 01 : 01Meter
 02 : 02Meters
 :
 :
 99 : 99Meters
 Cable Length(L): 01~99Meters

Note:
 * \varnothing Important Dimension To Check
 * Waterproof Rate: IP67
 * Housing: Nylon+GF, Black
 * Female Pin: Copper Alloy, Gold Plated
 * Lock Nut: Nylon+GF, Black
 * O-Ring: Silicon, Gray
 * Cable: UL2464 24AWG*5C+D+AL/My
 PVC Jacket UV Resistant, OD=5.0, Black
 * Cable Length Tolerance: 01M: ±40mm
 02M~05M: ±60mm
 06M~10M: ±100mm
 11M~30M: ±200mm
 31M~99M: ±500mm

UNIT:mm	
TOLERANCE	± 0.5 mm

TITLE STANDARD CNC PIN CABLE LOCK 5PIN F CONN F PIN			
SCALE 1:1	SIZE A4	SHEET 1 OF 1	
REV. A	WC-REV. A.1	\varnothing : Inspection item	

Amphenol LTW
 安費諾亮泰企業股份有限公司

ITEM NO	DRAWN BY Ruru	DATE 2014-01-03
DWG NO IBD-05BFFM-LL7AXX	CHECKED BY Tony	DATE 2014-01-03
CUSTOMER ALTW	APPROVED BY Victor	DATE 2014-01-03

THIS DOCUMENT IS SUBJECT TO CHANGE WITHOUT NOTICE. IT IS CONFIDENTIAL AND A PROPERTY OF Amphenol LTW. DISCLOSURE TO THIRD PARTY HAS TO BE AUTHORIZED BY Amphenol LTW.